

01 Instrumentation

Ham-Let Let-Lok® and One-Lok® Pipe Fittings and Valves, Hamlet Astava Manifolds, PipeLine Fittings, Sandvik Instrumentation Tubing, Concoa Gas Regulators



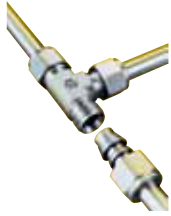


HAM-LET®

ADVANCED CONTROL TECHNOLOGY

LET-LOK®

LET-LOK® Twin Ferrule compression tube fittings have been carefully manufactured and tested to withstand the demands made of high performance tube fittings, such as high pressure, vacuum, vibration, temperature and impulse. These tube fittings are manufactured to exacting tolerances using the most modern and advanced computerised automation.



ONE-LOK®

ONE-LOK® tube fittings are made up of three parts that are precision engineered and machined: body, ferrule and nut. ONE-LOK® is designed for use in control systems, process and instrumentation devices and in industrial equipment. ONE-LOK® offers a simple, high-quality tube fitting with excellent performance and reliability.

PIPELINE®

The PIPELINE range of connectors is manufactured for typical applications in chemical and petrochemical processing plants, as well as for use in the oil, gas and power generation industries.



Quality
you can trust.

Since
1950



Process

Instrumentation

Process automation, monitoring and control are achieved by using various types of instrumentation systems. These systems share a common need for flow, pressure and temperature control. High performance components are required to satisfy the need for safe, reliable and maintenance free equipment.



Analytical

Instrumentation

Co-operation with the manufacturers and users of spectrometers, chromatographs and liquid analysers enables



Ham-Let to develop special components for sampling and real time measurement systems. Leak-tight and clean sampling systems are one of the keys for accurate process control

Oil & Gas Industries

From exploration through refining, from crude oil through high octane fuel, the oil and gas industry requires the highest level of flow control components to achieve the high standards of reliability, corrosion resistance, vibration, temperature cycles and pressure surges. Offshore rigs, refinery plants and gas handling systems are all highly sensitive to reliability and safety issues. Ham-Let's products for the industrial applications are designed to meet and exceed these standards.



Food & Beverage

The special needs of the food and beverage industry are derived from the essential processes of sterilisation, pasteurisation, cleaning, packaging and bottling. Ham-Let's components will provide the best answer to these needs with the highest level of cleanliness and mechanical performance.



Semi-Conductor Industry

The highest standards of cleanliness, leak-proof and corrosion resistance are typical to the continuously growing semi-conductor industry.



The highly toxic and flammable gases which are used in the manufacturing process of flash memories, logic processors, photo-voltaic cells and many other semi-conductor based products, guide the industry to set a wide range of standards for the gas and liquid flow control components. To support the required flexibility, production standards and quality control, Ham-Let operates a separate unit to support customers' needs for advanced engineering and fast changes inline with stable and reliable production disciplines.

Power Generation

The common types of power generation are based on principals of energy conversion. Water and steam are used as energy "carriers" between the different stages of electricity production. The power industry is facing a demand for higher levels of efficiency, emission control and safety, which leads to higher requirements for mechanical and chemical endurance from tubing and flow control components.



Hydrogen Fuel Cells & Natural Gas

Future resources of alternative clean energy are one of the most important economical activities of the industrial world. Hydrogen systems and fuel cells production and usage, create new technological challenges for high pressure gas systems designers. The extremely high pressure of a flammable gas requires creative solutions, which are based on years of experience in different industrial and engineering field. Ham-Let is continuously expanding its product certifications to ECE R110 and ISO 15500 standards for use in natural gas and hydrogen applications.



Pulp & Paper

Efficient, economical operation of hydraulic, pneumatic and steam-based systems, used in the pulp and paper industry is based on a reliable, high quality fluid control components. By using Ham-Let's compression fittings and industrial process valves you will be able to concentrate on the important tasks of improving production efficiency and avoid unnecessary maintenance tasks.



Solar Energy

The important growth of renewable energy sources is supported by Ham-Let in the two main areas of photo-voltaic production and thermal solar energy plants. Based on years of experience, Ham-Let co-operates with the leading equipment manufacturers to deliver components for the gas delivery systems that will support the exact needs by means of flow, temperature, corrosion resistance and cleanliness.



Chemical Industries

Highly corrosive, toxic and flammable fluids are commonly used in the chemical and petro-chemical industries. Increasing demand for safety and reliability requires the highest level of flow control components manufactured and supplied by Ham-Let. Sensitive equipment for analytical and process control applications must be hooked up with the most reliable and easy to use components.



Pharmaceutical

The biopharmaceutical industry has its unique requirements due to the need for cleanliness and sterilisation while maintaining mechanical properties of the instrumentation components.





HAM-LET®

ADVANCED CONTROL TECHNOLOGY

LET-LOK
TWIN FERRULE TUBE
COMPRESSION FITTINGS

316 Stainless Steel Metric Tube Fittings

The LET-LOK® range of Twin Ferrule connectors has been developed to fill the rapidly increasing demand for tube fittings suitable for high pressure use in environments such as petrochemical, fluid, power, nuclear, electronic, as well as other major industries.

LET-LOK® tube fittings have been carefully manufactured and tested to withstand the demands of high performance tube fittings, such as high pressure, impulse, vibration, vacuum and temperature.

Reducing Tee



PGC: 243	OD 1 (mm)	OD 2 (mm)	OD 3 (mm)	Price
764LR-SS-12-12-6	12	12	6	£44.99

Tube to Tube Unions

Union



PGC: 243	OD (mm)	Price
762L-SS-3	3	£8.47
762L-SS-4	4	£7.85
762L-SS-6	6	£8.41
762L-SS-8	8	£9.50
762L-SS-10	10	£11.98
762L-SS-12	12	£17.97
762L-SS-15	15	£23.32
762L-SS-16	16	£23.32
762L-SS-18	18	£29.05
762L-SS-20	20	£47.38
762L-SS-22	22	£47.38
762L-SS-25	25	£50.45

Union Cross



PGC: 243	OD (mm)	Price
7102L-SS-6	6	£31.22
7102L-SS-8	8	£42.22
7102L-SS-10	10	£38.79
7102L-SS-12	12	£45.09

Union Elbow



PGC: 243	OD (mm)	Price
765L-SS-3	3	£11.47
765L-SS-4	4	£11.47
765L-SS-6	6	£12.24
765L-SS-8	8	£12.80
765L-SS-10	10	£14.97
765L-SS-12	12	£24.66
765L-SS-15	15	£25.29
765L-SS-16	16	£27.58
765L-SS-18	18	£43.56
765L-SS-20	20	£66.75
765L-SS-22	22	£66.75
765L-SS-25	25	£83.31

Reducing Union



PGC: 243	OD 1 (mm)	OD 2 (mm)	Price
763L-SS-6-3	6	3	£8.93
763L-SS-6-4	6	4	£8.93
763L-SS-8-6	8	6	£9.06
763L-SS-10-6	10	6	£11.98
763L-SS-10-8	10	8	£11.98
763L-SS-12-6	12	6	£18.60
763L-SS-12-8	12	8	£18.60
763L-SS-12-10	12	10	£18.60
763L-SS-15-12	15	12	£24.51
763L-SS-16-10	16	10	£24.34
763L-SS-16-12	16	12	£23.89

Union Tee



PGC: 243	OD (mm)	Price
764L-SS-3	3	£18.60
764L-SS-4	4	£18.80
764L-SS-6	6	£17.26
764L-SS-8	8	£19.82
764L-SS-10	10	£22.56
764L-SS-12	12	£34.33
764L-SS-15	15	£36.95
764L-SS-16	16	£38.47
764L-SS-18	18	£51.35
764L-SS-20	20	£88.72
764L-SS-22	22	£88.72
764L-SS-25	25	£109.99

Union Bulkhead



PGC: 243	OD (mm)	Price
774L-SS-3	3	£17.20
774L-SS-4	4	£17.39
774L-SS-6	6	£12.42
774L-SS-8	8	£14.22
774L-SS-10	10	£18.03
774L-SS-12	12	£26.05
774L-SS-15	15	£37.19
774L-SS-16	16	£37.19
774L-SS-18	18	£43.56
774L-SS-20	20	£71.13
774L-SS-22	22	£79.49
774L-SS-25	25	£86.90

Male Tube Fittings

Male Run Tee

Male Thread NPT



PGC: 243	OD (mm)	NPT	Price
771L-SS-6-1/8	6	1/8	£17.59
771L-SS-6-1/4	6	1/4	£21.22
771L-SS-8-1/8	8	1/8	£23.37
771L-SS-8-1/4	8	1/4	£22.56
771L-SS-10-1/4	10	1/4	£23.20
771L-SS-12-1/4	12	1/4	£34.33
771L-SS-12-3/8	12	3/8	£35.32
771L-SS-12-1/2	12	1/2	£36.63

Male Branch Tee

Male Thread NPT



PGC: 243	OD (mm)	NPT	Price
772L-SS-4-1/8	4	1/8	£19.14
772L-SS-6-1/8	6	1/8	£17.59
772L-SS-6-1/4	6	1/4	£21.22
772L-SS-8-1/8	8	1/8	£21.80
772L-SS-8-1/4	8	1/4	£22.56
772L-SS-10-1/4	10	1/4	£22.56
772L-SS-12-1/4	12	1/4	£34.33
772L-SS-12-3/8	12	3/8	£34.33
772L-SS-12-1/2	12	1/2	£37.70

Male Connector

Male Thread BSPP



PGC: 243	OD (mm)	BSPP	Price
768LG-SS-6-1/8	6	1/8	£6.79
768LG-SS-6-1/4	6	1/4	£7.05
768LG-SS-6-1/2	6	1/2	£12.18
768LG-SS-8-1/8	8	1/8	£7.63
768LG-SS-8-1/4	8	1/4	£9.02
768LG-SS-8-1/2	8	1/2	£13.00
768LG-SS-8-3/8	8	3/8	£9.85
768LG-SS-10-1/4	10	1/4	£9.61
768LG-SS-10-3/8	10	3/8	£10.92
768LG-SS-10-1/2	10	1/2	£13.00
768LG-SS-12-1/4	12	1/4	£13.99
768LG-SS-12-3/8	12	3/8	£14.57
768LG-SS-12-1/2	12	1/2	£16.16
768LG-SS-15-1/2	15	1/2	£18.06
768LG-SS-16-1/2	16	1/2	£18.06
768LG-SS-18-1/2	18	1/2	£23.60
768LG-SS-20-3/4	20	3/4	£42.90
768LG-SS-22-3/4	22	3/4	£42.90
768LG-SS-25-1	25	1	£43.46

Male Connector

Male Thread NPT



PGC: 243	OD (mm)	NPT	Price
768L-SS-3-1/8	3	1/8	£5.61
768L-SS-3-1/4	3	1/4	£6.38
768L-SS-4-1/8	4	1/8	£5.61
768L-SS-4-1/4	4	1/4	£6.38
768L-SS-6-1/8	6	1/8	£5.23
768L-SS-6-1/4	6	1/4	£5.42
768L-SS-6-3/8	6	3/8	£6.95
768L-SS-6-1/2	6	1/2	£9.37
768L-SS-8-1/8	8	1/8	£5.87
768L-SS-8-1/4	8	1/4	£6.95
768L-SS-8-3/8	8	3/8	£7.59
768L-SS-8-1/2	8	1/2	£10.01
768L-SS-10-1/8	10	1/8	£6.64
768L-SS-10-1/4	10	1/4	£7.39
768L-SS-10-3/8	10	3/8	£8.41
768L-SS-10-1/2	10	1/2	£10.01
768L-SS-12-1/8	12	1/8	£13.31
768L-SS-12-1/4	12	1/4	£10.76
768L-SS-12-3/8	12	3/8	£11.22
768L-SS-12-1/2	12	1/2	£12.42
768L-SS-12-3/4	12	3/4	£16.05
768L-SS-15-1/2	15	1/2	£13.89
768L-SS-16-1/2	16	1/2	£13.89
768L-SS-18-1/2	18	1/2	£18.16
768L-SS-20-3/4	20	3/4	£33.01
768L-SS-22-3/4	22	3/4	£33.01
768L-SS-25-3/4	25	3/4	£35.16
768L-SS-25-1	25	1	£33.43

Male Connector

Male Thread BSPT



PGC: 243	OD (mm)	BSPT	Price
768LR-SS-4-1/8	4	1/8	£5.61
768LR-SS-4-1/4	4	1/4	£6.38
768LR-SS-6-1/8	6	1/8	£5.23
768LR-SS-6-1/4	6	1/4	£5.42
768LR-SS-6-3/8	6	3/8	£6.95
768LR-SS-6-1/2	6	1/2	£9.37
768LR-SS-8-1/8	8	1/8	£5.23
768LR-SS-8-1/4	8	1/4	£5.42
768LR-SS-8-3/8	8	3/8	£6.95
768LR-SS-8-1/2	8	1/2	£9.37
768LR-SS-10-1/8	10	1/8	£6.64
768LR-SS-10-1/4	10	1/4	£7.39
768LR-SS-10-3/8	10	3/8	£8.41
768LR-SS-10-1/2	10	1/2	£10.01
768LR-SS-12-1/4	12	1/4	£10.76
768LR-SS-12-3/8	12	3/8	£11.22
768LR-SS-12-1/2	12	1/2	£12.42
768LR-SS-15-1/2	15	1/2	£13.89
768LR-SS-16-1/2	16	1/2	£13.89
768LR-SS-18-1/2	18	1/2	£18.16
768LR-SS-20-1/2	20	1/2	£28.93
768LR-SS-20-3/4	20	3/4	£33.01
768LR-SS-22-3/4	22	3/4	£33.01
768LR-SS-22-1	22	1	£43.31
768LR-SS-25-3/4	25	3/4	£35.16
768LR-SS-25-1	25	1	£33.43

Male Bulkhead

Male Thread NPT



PGC: 243	OD (mm)	NPT	Price
774LM-SS-6-1/8	6	1/8	£11.79
774LM-SS-6-1/4	6	1/4	£11.79
774LM-SS-10-1/4	10	1/4	£20.57
774LM-SS-12-1/2	12	1/2	£22.56

Male Elbow

Male Thread NPT



PGC: 243	OD (mm)	NPT	Price
769L-SS-4-1/8	4	1/8	£9.17
769L-SS-4-1/4	4	1/4	£11.47
769L-SS-6-1/8	6	1/8	£9.62
769L-SS-6-1/4	6	1/4	£10.38
769L-SS-6-3/8	6	3/8	£14.53
769L-SS-6-1/2	6	1/2	£16.63
769L-SS-8-1/8	8	1/8	£10.38
769L-SS-8-1/4	8	1/4	£10.71
769L-SS-8-3/8	8	3/8	£15.43
769L-SS-8-1/2	8	1/2	£18.29
769L-SS-10-1/8	10	1/8	£13.31
769L-SS-10-1/4	10	1/4	£12.88
769L-SS-10-3/8	10	3/8	£15.54
769L-SS-10-1/2	10	1/2	£19.93
769L-SS-12-1/4	12	1/4	£18.29
769L-SS-12-3/8	12	3/8	£18.29
769L-SS-12-1/2	12	1/2	£22.74
769L-SS-15-1/2	15	1/2	£25.10
769L-SS-22-3/4	22	3/4	£33.82
769L-SS-25-1	25	1	£54.00

Male Elbow

Male Thread BSPT



PGC: 243	OD (mm)	BSPT	Price
769LR-SS-4-1/8	4	1/8	£9.17
769LR-SS-4-1/4	4	1/4	£11.47
769LR-SS-6-1/8	6	1/8	£9.62
769LR-SS-6-1/4	6	1/4	£10.38
769LR-SS-6-3/8	6	3/8	£14.53
769LR-SS-6-1/2	6	1/2	£16.63
769LR-SS-8-1/8	8	1/8	£10.38
769LR-SS-8-1/4	8	1/4	£10.71
769LR-SS-8-3/8	8	3/8	£15.43
769LR-SS-8-1/2	8	1/2	£18.29
769LR-SS-10-1/8	10	1/8	£13.31
769LR-SS-10-1/4	10	1/4	£12.88
769LR-SS-10-3/8	10	3/8	£15.54
769LR-SS-10-1/2	10	1/2	£19.93
769LR-SS-12-1/4	12	1/4	£18.29
769LR-SS-12-3/8	12	3/8	£18.29
769LR-SS-12-1/2	12	1/2	£22.74
769LR-SS-15-1/2	15	1/2	£25.10
769LR-SS-22-3/4	22	3/4	£33.82
769LR-SS-25-1	25	1	£54.00

Female Tube Fittings

Female Run Tee

Female Thread NPT



PGC: 243	OD (mm)	NPT	Price
771LF-SS-6-1/8	6	1/8	£25.57
771LF-SS-6-1/4	6	1/4	£24.84
771LF-SS-8-1/4	8	1/4	£40.76
771LF-SS-10-1/4	10	1/4	£25.03
771LF-SS-12-1/2	12	1/2	£40.49

Female Branch Tee

Female Thread NPT



PGC: 243	OD (mm)	NPT	Price
772LF-SS-6-1/8	6	1/8	£12.80
772LF-SS-6-1/4	6	1/4	£24.84
772LF-SS-8-1/4	8	1/4	£39.68
772LF-SS-10-1/4	10	1/4	£25.61
772LF-SS-10-3/8	10	3/8	£37.25
772LF-SS-12-1/4	12	1/4	£19.25
772LF-SS-12-1/2	12	1/2	£27.51

Female Elbow

Female Thread NPT



PGC: 243	OD (mm)	NPT	Price
770L-SS-6-1/8	6	1/8	£12.80
770L-SS-6-1/4	6	1/4	£14.53
770L-SS-10-1/4	10	1/4	£25.61
770L-SS-10-1/2	10	1/2	£25.57
770L-SS-12-1/4	12	1/4	£19.25
770L-SS-12-1/2	12	1/2	£27.51

Female Connector

Female Thread NPT



PGC: 243	OD (mm)	NPT	Price
766L-SS-4-1/8	4	1/8	£6.95
766L-SS-6-1/8	6	1/8	£11.98
766L-SS-6-1/4	6	1/4	£8.80
766L-SS-6-3/8	6	3/8	£10.76
766L-SS-8-1/2	6	1/2	£11.98
766L-SS-8-1/8	8	1/8	£8.30
766L-SS-8-1/4	8	1/4	£9.37
766L-SS-8-3/8	8	3/8	£11.47
766L-SS-8-1/2	8	1/2	£13.65
766L-SS-10-1/8	10	1/8	£9.58
766L-SS-10-1/4	10	1/4	£9.06
766L-SS-10-3/8	10	3/8	£11.92
766L-SS-10-1/2	10	1/2	£15.74
766L-SS-12-1/8	12	1/8	£13.80
766L-SS-12-1/4	12	1/4	£12.42
766L-SS-12-3/8	12	3/8	£12.80
766L-SS-12-1/2	12	1/2	£17.59
766L-SS-15-1/2	15	1/2	£18.74
766L-SS-16-1/2	16	1/2	£18.74
766L-SS-18-1/2	18	1/2	£35.59
766L-SS-20-1/2	20	1/2	£34.64
766L-SS-22-3/4	22	3/4	£35.61
766L-SS-25-1	25	1	£49.75

Female Connector

Female Thread BSPT



PGC: 243	OD (mm)	BSPT	Price
766LR-SS-6-1/8	6	1/8	£7.08
766LR-SS-6-1/4	6	1/4	£8.80
766LR-SS-6-3/8	6	3/8	£10.76
766LR-SS-6-1/2	6	1/2	£11.98
766LR-SS-8-1/8	8	1/8	£8.30
766LR-SS-8-1/4	8	1/4	£9.37
766LR-SS-8-3/8	8	3/8	£11.47
766LR-SS-8-1/2	8	1/2	£13.65
766LR-SS-10-1/8	10	1/8	£9.58
766LR-SS-10-1/4	10	1/4	£9.06
766LR-SS-10-3/8	10	3/8	£11.92
766LR-SS-10-1/2	10	1/2	£15.74
766LR-SS-12-1/8	12	1/8	£12.88
766LR-SS-12-1/4	12	1/4	£12.42
766LR-SS-12-3/8	12	3/8	£12.80
766LR-SS-12-1/2	12	1/2	£17.59
766LR-SS-15-1/2	15	1/2	£18.74
766LR-SS-16-1/2	16	1/2	£18.74
766LR-SS-20-1/2	20	1/2	£34.64
766LR-SS-22-3/4	22	3/4	£35.61
766LR-SS-25-1	25	1	£49.75

Female Connector

Female Thread BSPP



PGC: 243	OD (mm)	BSPP	Price
766LG-SS-6-1/4	6	1/4	£11.44
766LG-SS-6-3/8	6	3/8	£13.99
766LG-SS-6-1/2	6	1/2	£15.57
766LG-SS-8-1/4	8	1/4	£11.44
766LG-SS-8-3/8	8	3/8	£14.91
766LG-SS-8-1/2	8	1/2	£17.73
766LG-SS-10-1/4	10	1/4	£12.18
766LG-SS-10-3/8	10	3/8	£15.49
766LG-SS-10-1/2	10	1/2	£20.46
766LG-SS-12-1/4	12	1/4	£16.16
766LG-SS-12-3/8	12	3/8	£16.64
766LG-SS-12-1/2	12	1/2	£22.86

Female Bulkhead

Female Thread NPT



PGC: 243	OD (mm)	NPT	Price
774LF-SS-6-1/8	6	1/8	£13.89
774LF-SS-6-1/4	6	1/4	£13.65
774LF-SS-8-1/4	8	1/4	£19.25
774LF-SS-10-1/4	10	1/4	£19.25
774LF-SS-12-1/2	12	1/2	£29.94

Male Tube Adaptors

Male Tube Adaptor

Male Thread NPT



PGC: 243	OD (mm)	NPT	Price
739LM-SS-4-1/8	4	1/8	£4.71
739LM-SS-4-1/4	4	1/4	£5.07
739LM-SS-6-1/8	6	1/8	£4.22
739LM-SS-6-1/4	6	1/4	£4.53
739LM-SS-8-1/8	8	1/8	£5.50
739LM-SS-8-1/4	8	1/4	£5.89
739LM-SS-10-1/8	10	1/8	£6.23
739LM-SS-10-1/4	10	1/4	£6.00
739LM-SS-10-3/8	10	3/8	£7.29
739LM-SS-10-1/2	10	1/2	£8.00
739LM-SS-12-1/4	12	1/4	£9.06
739LM-SS-12-3/8	12	3/8	£9.67
739LM-SS-12-1/2	12	1/2	£10.14

316 Stainless Steel Twin Ferrule Metric Tube Fittings

01

Male Tube Adaptor

Male Thread BSPT



PGC: 243	OD (mm)	BSPT	Price
739LMR-SS-6-1/8	6	1/8	£4.22
739LMR-SS-6-1/4	6	1/4	£4.53
739LMR-SS-8-1/8	8	1/8	£5.71
739LMR-SS-8-1/4	8	1/4	£5.66
739LMR-SS-10-1/4	10	1/4	£6.00
739LMR-SS-10-3/8	10	3/8	£7.29
739LMR-SS-12-1/4	12	1/4	£9.06
739LMR-SS-12-1/2	12	1/2	£10.14

Male Tube Adaptor

Male Thread BSPP



PGC: 243	OD (mm)	BSPP	Price
739LMG-SS-6-1/8	6	1/8	£5.49
739LMG-SS-6-1/4	6	1/4	£5.89
739LMG-SS-8-1/4	8	1/4	£8.04
739LMG-SS-8-3/8	8	3/8	£7.56
739LMG-SS-10-3/8	10	3/8	£9.49
739LMG-SS-10-1/2	10	1/2	£10.92
739LMG-SS-12-1/2	12	1/2	£13.18

Female Tube Adaptors

Female Tube Adaptor

Female Thread NPT



PGC: 243	OD (mm)	NPT	Price
739LF-SS-4-1/4	4	1/4	£7.64
739LF-SS-6-1/8	6	1/8	£5.53
739LF-SS-6-1/4	6	1/4	£7.39
739LF-SS-8-1/8	8	1/8	£7.91
739LF-SS-8-1/4	8	1/4	£7.39
739LF-SS-10-1/4	10	1/4	£7.71
739LF-SS-10-3/8	10	3/8	£12.23
739LF-SS-10-1/2	10	1/2	£13.14
739LF-SS-12-1/4	12	1/4	£10.19
739LF-SS-12-3/8	12	3/8	£10.72
739LF-SS-12-1/2	12	1/2	£14.84

Female Tube Adaptor

Female Thread BSPT



PGC: 243	OD (mm)	BSPT	Price
739LFR-SS-8-1/4	8	1/4	£7.39
739LFR-SS-10-3/8	10	3/8	£12.23

Female Tube Adaptor

Female Thread BSPP



PGC: 243	OD (mm)	BSPP	Price
739LFG-SS-6-1/4	6	1/4	£8.50
739LFG-SS-6-1/2	6	1/2	£16.78
739LFG-SS-8-1/4	8	1/4	£10.71
739LFG-SS-10-1/4	10	1/4	£11.16
739LFG-SS-12-1/4	12	1/4	£14.84
739LFG-SS-12-3/8	12	3/8	£18.61
739LFG-SS-12-1/2	12	1/2	£21.35

Reducers

Reducer

Metric to Imperial



PGC: 243	OD 1 (mm)	OD 2 (")	Price
767LT-SS-6-1/8	6	1/8	£9.24
767LT-SS-6-1/4	6	1/4	£7.27
767LT-SS-6-3/8	6	3/8	£7.08
767LT-SS-6-1/2	6	1/2	£8.16
767LT-SS-8-3/8	8	3/8	£7.27
767LT-SS-8-1/2	8	1/2	£7.53
767LT-SS-10-3/8	10	3/8	£10.26
767LT-SS-10-1/2	10	1/2	£9.62
767LT-SS-12-1/2	12	1/2	£11.79

Reducer

Metric to Metric



PGC: 243	OD 1 (mm)	OD 2 (mm)	Price
767LT-SS-4-6	4	6	£7.53
767LT-SS-6-8	6	8	£7.27
767LT-SS-6-10	6	10	£7.08
767LT-SS-6-12	6	12	£8.16
767LT-SS-8-6	8	6	£8.30
767LT-SS-8-10	8	10	£7.27
767LT-SS-8-12	8	12	£8.30
767LT-SS-10-6	10	6	£9.24
767LT-SS-10-12	10	12	£9.62
767LT-SS-10-15	10	15	£10.98
767LT-SS-12-6	12	6	£13.76
767LT-SS-12-8	12	8	£12.90
767LT-SS-12-10	12	10	£11.79

Ferrules

Front Ferrule



PGC: 239	OD (mm)	Price
760LF-SS-3	3	£1.03
760LF-SS-4	4	£1.16
760LF-SS-6	6	£0.90
760LF-SS-8	8	£1.16
760LF-SS-10	10	£1.03
760LF-SS-12	12	£1.47
760LF-SS-15	15	£1.79
760LF-SS-16	16	£1.72
760LF-SS-18	18	£2.29
760LF-SS-20	20	£2.55
760LF-SS-22	22	£3.58
760LF-SS-25	25	£4.09

Rear Ferrule



PGC: 239	OD (mm)	Price
760LB-SS-3	3	£0.96
760LB-SS-4	4	£1.03
760LB-SS-6	6	£0.77
760LB-SS-8	8	£1.08
760LB-SS-10	10	£0.96
760LB-SS-12	12	£1.34
760LB-SS-15	15	£1.72
760LB-SS-16	16	£1.67
760LB-SS-18	18	£2.04
760LB-SS-20	20	£2.24
760LB-SS-22	22	£2.87
760LB-SS-25	25	£3.19

Ferrule Set



- All Let-Lok® ferrules are available as sets
- Simplify stocking and assembly
- Prevents damage of single ferrules during shipping
- In packs of 10 pairs of ferrules per set – ready for easy assembly

PGC: 239	OD (mm)	Price
760LS-SS-6-SET	6	£16.63
760LS-SS-8-SET	8	£21.96
760LS-SS-10-SET	10	£22.50
760LS-SS-12-SET	12	£31.54

Plugs

Plug



PGC: 243	OD (mm)	Price
7121L-SS-3	3	£5.30
7121L-SS-4	4	£5.42
7121L-SS-6	6	£4.22
7121L-SS-8	8	£4.40
7121L-SS-10	10	£4.79
7121L-SS-12	12	£7.08
7121L-SS-15	15	£9.62
7121L-SS-16	16	£9.62
7121L-SS-18	18	£11.22
7121L-SS-20	20	£17.72
7121L-SS-22	22	£17.72
7121L-SS-25	25	£22.74

Reducing Port

Connector



- Connects 2 LET-LOK® ports

PGC: 243	OD 1 (mm)	OD 2 (mm)	Price
767LM-SS-6-3	6	3	£9.82
767LM-SS-8-6	8	6	£6.38
767LM-SS-10-6	10	6	£5.61
767LM-SS-12-6	12	6	£9.62
767LM-SS-12-8	12	8	£9.62
767LM-SS-12-10	12	10	£9.62
767LM-SS-16-12	16	12	£13.45

Nuts

Compression Nut



PGC: 239	OD (mm)	Price
761L-SS-3	3	£1.67
761L-SS-4	4	£1.47
761L-SS-6	6	£1.47
761L-SS-8	8	£1.59
761L-SS-10	10	£2.04
761L-SS-12	12	£3.37
761L-SS-15	15	£5.16
761L-SS-16	16	£4.66
761L-SS-18	18	£5.56
761L-SS-20	20	£7.27
761L-SS-22	22	£7.27
761L-SS-25	25	£10.59

Tube Inserts

Tube Insert



PGC: 243	OD (mm)	ID (mm)	Price
760LI-SS-6-4	6	4	£1.72
760LI-SS-8-6	8	6	£2.10
760LI-SS-10-8	10	8	£1.79
760LI-SS-12-10	12	10	£2.55

Inspection Gauges

Inspection Gauge

Plastic



- "No-Go" gauge for use in the assembly of 6 mm, 12 mm, 1/4", 3/8" and 1/2" OD LET-LOK® fittings

PGC: 243	Price
3900098	£2.00

Caps

Cap



PGC: 243	OD (mm)	Price
7108L-SS-4	4	£4.84
7108L-SS-6	6	£4.34
7108L-SS-8	8	£4.53
7108L-SS-10	10	£5.87
7108L-SS-12	12	£8.61
7108L-SS-15	15	£10.38
7108L-SS-16	16	£10.38
7108L-SS-18	18	£14.01
7108L-SS-20	20	£18.48
7108L-SS-22	22	£18.48
7108L-SS-25	25	£25.99

Port Connector



- Connects 2 LET-LOK® ports

PGC: 243	OD (mm)	Price
767LP-SS-6	6	£4.34
767LP-SS-8	8	£6.95
767LP-SS-10	10	£5.30
767LP-SS-12	12	£9.50

Inspection Gauge

Aluminium



- High safety gauge for use in the assembly of 3/4" OD / 18 mm OD LET-LOK® fittings

PGC: 243	Price
3901246	£7.47



HAM-LET®

ADVANCED CONTROL TECHNOLOGY

LET-LOK
TWIN FERRULE TUBE
COMPRESSION FITTINGS

316 Stainless Steel Imperial Tube Fittings

The LET-LOK® range of Twin Ferrule connectors has been developed to fill the rapidly increasing demand for tube fittings suitable for high pressure use in environments such as petrochemical, fluid, power, nuclear, electronic, as well as other major industries.

LET-LOK® tube fittings have been carefully manufactured and tested to withstand the demands of high performance tube fittings, such as high pressure, impulse, vibration, vacuum and temperature.

Tube to Tube Unions

Union



PGC: 243	OD (")	Price
762L-SS-1/16	1/16	£11.98
762L-SS-1/8	1/8	£8.47
762L-SS-3/16	3/16	£7.85
762L-SS-1/4	1/4	£8.41
762L-SS-3/8	3/8	£11.98
762L-SS-1/2	1/2	£17.97
762L-SS-5/8	5/8	£23.32
762L-SS-3/4	3/4	£29.05
762L-SS-1	1	£50.45

Reducing Union



PGC: 243	OD 1 (")	OD 2 (")	Price
763L-SS-1/8-1/16	1/8	1/16	£11.53
763L-SS-1/4-1/8	1/4	1/8	£8.93
763L-SS-3/8-1/8	3/8	1/8	£13.19
763L-SS-3/8-1/4	3/8	1/4	£11.98
763L-SS-1/2-1/4	1/2	1/4	£18.60
763L-SS-1/2-3/8	1/2	3/8	£18.60
763L-SS-3/4-1/2	3/4	1/2	£28.28
763L-SS-1-1/2	1	1/2	£57.13
763L-SS-1-3/4	1	3/4	£51.91

Union Cross



PGC: 243	OD (")	Price
7102L-SS-1/8	1/8	£33.32
7102L-SS-1/4	1/4	£31.22
7102L-SS-3/8	3/8	£38.79
7102L-SS-1/2	1/2	£45.09
7102L-SS-3/4	3/4	£78.27
7102L-SS-1	1	£139.66

Union Tee



PGC: 243	OD (")	Price
764L-SS-1/16	1/16	£30.13
764L-SS-1/8	1/8	£18.60
764L-SS-3/16	3/16	£18.80
764L-SS-1/4	1/4	£17.26
764L-SS-3/8	3/8	£22.56
764L-SS-1/2	1/2	£34.33
764L-SS-5/8	5/8	£38.47
764L-SS-3/4	3/4	£51.35
764L-SS-1	1	£109.99

Reducing Tee



PGC: 243	OD 1 (")	OD 2 (")	OD 3 (")	Price
764LR-SS-1/2-1/4	1/2	1/2	1/4	£45.30
764LR-SS-3/4-1/2	3/4	3/4	1/2	£65.81

Union Elbow



PGC: 243	OD (")	Price
765L-SS-1/16	1/16	£20.58
765L-SS-1/8	1/8	£11.47
765L-SS-3/16	3/16	£11.47
765L-SS-1/4	1/4	£12.24
765L-SS-3/8	3/8	£14.97
765L-SS-1/2	1/2	£24.66
765L-SS-5/8	5/8	£27.58
765L-SS-3/4	3/4	£43.56
765L-SS-1	1	£83.31

Union Bulkhead



PGC: 243	OD (")	Price
774L-SS-1/16	1/16	£29.24
774L-SS-1/8	1/8	£17.20
774L-SS-1/4	1/4	£12.42
774L-SS-3/8	3/8	£18.03
774L-SS-1/2	1/2	£26.05
774L-SS-3/4	3/4	£43.56
774L-SS-1	1	£83.95

Male Tube Fittings

Male Run Tee

Male Thread NPT



PGC: 243	OD (")	NPT	Price
771L-SS-1/8-1/8	1/8	1/8	£18.60
771L-SS-1/8-1/4	1/8	1/4	£31.48
771L-SS-1/4-1/8	1/4	1/8	£17.59
771L-SS-1/4-1/4	1/4	1/4	£21.22
771L-SS-3/8-1/4	3/8	1/4	£22.56
771L-SS-3/8-3/8	3/8	3/8	£25.65
771L-SS-1/2-3/8	1/2	3/8	£34.33
771L-SS-1/2-1/2	1/2	1/2	£36.63
771L-SS-3/4-3/4	3/4	3/4	£54.00

Male Branch Tee

Male Thread NPT



PGC: 243	OD (")	NPT	Price
772L-SS-1/8-1/8	1/8	1/8	£18.60
772L-SS-1/8-1/4	1/8	1/4	£31.48
772L-SS-1/4-1/8	1/4	1/8	£17.59
772L-SS-1/4-1/4	1/4	1/4	£21.22
772L-SS-3/8-1/4	3/8	1/4	£22.56
772L-SS-3/8-3/8	3/8	3/8	£24.97
772L-SS-1/2-3/8	1/2	3/8	£34.33
772L-SS-1/2-1/2	1/2	1/2	£36.63
772L-SS-3/4-3/4	3/4	3/4	£54.00

Male Connector

Male Thread BSPP



PGC: 243	OD (")	BSPP	Price
768LG-SS-1/8-1/8	1/8	1/8	£7.29
768LG-SS-1/8-1/4	1/8	1/4	£8.28
768LG-SS-1/4-1/8	1/4	1/8	£6.79
768LG-SS-1/4-1/4	1/4	1/4	£7.05
768LG-SS-3/8-1/4	3/8	1/4	£9.61
768LG-SS-3/8-3/8	3/8	3/8	£10.92
768LG-SS-3/8-1/2	3/8	1/2	£13.00
768LG-SS-1/2-1/4	1/2	1/4	£13.99
768LG-SS-1/2-3/8	1/2	3/8	£14.57
768LG-SS-1/2-1/2	1/2	1/2	£16.16
768LG-SS-1/2-3/4	1/2	3/4	£20.87
768LG-SS-3/4-3/4	3/4	3/4	£24.77

Male Connector

Male Thread NPT



PGC: 243	OD (")	NPT	Price
768L-SS-1/16-1/8	1/16	1/8	£8.73
768L-SS-1/16-1/4	1/16	1/4	£12.24
768L-SS-1/8-1/8	1/8	1/8	£5.61
768L-SS-1/8-1/4	1/8	1/4	£6.38
768L-SS-1/4-1/8	1/4	1/8	£5.23
768L-SS-1/4-1/4	1/4	1/4	£5.42
768L-SS-1/4-3/8	1/4	3/8	£6.95
768L-SS-1/4-1/2	1/4	1/2	£9.37
768L-SS-3/8-1/8	3/8	1/8	£6.64
768L-SS-3/8-1/4	3/8	1/4	£7.39
768L-SS-3/8-3/8	3/8	3/8	£8.41
768L-SS-3/8-1/2	3/8	1/2	£10.01
768L-SS-3/8-3/4	3/8	3/4	£12.88
768L-SS-1/2-1/8	1/2	1/8	£13.31
768L-SS-1/2-1/4	1/2	1/4	£10.76
768L-SS-1/2-3/8	1/2	3/8	£11.22
768L-SS-1/2-1/2	1/2	1/2	£12.42
768L-SS-1/2-3/4	1/2	3/4	£16.05
768L-SS-3/4-1/2	3/4	1/2	£18.16
768L-SS-3/4-3/4	3/4	3/4	£18.06
768L-SS-3/4-1	3/4	1	£29.37
768L-SS-1-3/4	1	3/4	£35.16

Male Connector

Male Thread BSPT



PGC: 243	OD (")	BSPT	Price
768LR-SS-1/8-1/8	1/8	1/8	£5.61
768LR-SS-3/16-1/8	3/16	1/8	£5.61
768LR-SS-1/8-1/4	1/8	1/4	£6.38
768LR-SS-3/16-1/4	3/16	1/4	£6.38
768LR-SS-1/4-1/8	1/4	1/8	£5.23
768LR-SS-1/4-1/4	1/4	1/4	£5.42
768LR-SS-1/4-3/8	1/4	3/8	£6.95
768LR-SS-1/4-1/2	1/4	1/2	£9.37
768LR-SS-3/8-1/8	3/8	1/8	£6.64
768LR-SS-3/8-1/4	3/8	1/4	£6.38
768LR-SS-3/8-3/8	3/8	3/8	£8.41
768LR-SS-3/8-1/2	3/8	1/2	£10.01
768LR-SS-3/8-3/4	3/8	3/4	£12.88
768LR-SS-1/2-1/4	1/2	1/4	£10.76
768LR-SS-1/2-3/8	1/2	3/8	£11.22
768LR-SS-1/2-1/2	1/2	1/2	£12.42
768LR-SS-1/2-3/4	1/2	3/4	£16.16
768LR-SS-3/4-1/2	3/4	1/2	£18.16
768LR-SS-3/4-3/4	3/4	3/4	£18.06
768LR-SS-1-3/4	1	3/4	£35.16
768LR-SS-1-1	1	1	£33.43

Male Bulkhead

Male Thread NPT



PGC: 243	OD (")	NPT	Price
774LM-SS-1/8-1/8	1/8	1/8	£17.20
774LM-SS-1/4-1/8	1/4	1/8	£11.79
774LM-SS-1/4-1/4	1/4	1/4	£11.79
774LM-SS-3/8-1/4	3/8	1/4	£11.16
774LM-SS-1/2-3/8	1/2	3/8	£21.91
774LM-SS-1/2-1/2	1/2	1/2	£22.56

Male Elbow

Male Thread NPT



PGC: 243	OD (")	NPT	Price
769L-SS-1/16-1/8	1/16	1/8	£16.63
769L-SS-1/8-1/8	1/8	1/8	£9.17
769L-SS-1/8-1/4	1/8	1/4	£9.82
769L-SS-1/4-1/8	1/4	1/8	£9.62
769L-SS-1/4-1/4	1/4	1/4	£10.38
769L-SS-1/4-3/8	1/4	3/8	£14.53
769L-SS-1/4-1/2	1/4	1/2	£16.63
769L-SS-3/8-1/8	3/8	1/8	£13.31
769L-SS-3/8-1/4	3/8	1/4	£12.88
769L-SS-3/8-3/8	3/8	3/8	£15.54
769L-SS-3/8-1/2	3/8	1/2	£19.93
769L-SS-3/8-3/4	3/8	3/4	£30.58
769L-SS-1/2-1/8	1/2	1/8	£20.03
769L-SS-1/2-1/4	1/2	1/4	£18.29
769L-SS-1/2-3/8	1/2	3/8	£18.29
769L-SS-1/2-1/2	1/2	1/2	£22.74
769L-SS-1/2-3/4	1/2	3/4	£32.42
769L-SS-3/4-1/2	3/4	1/2	£27.72
769L-SS-3/4-3/4	3/4	3/4	£27.72
769L-SS-1-1	1	1	£54.00

Male Elbow

Male Thread BSPT



PGC: 243	OD (")	BSPT	Price
769LR-SS-1/8-1/8	1/8	1/8	£9.17
769LR-SS-1/8-1/4	1/8	1/4	£9.82
769LR-SS-1/4-1/8	1/4	1/8	£9.62
769LR-SS-1/4-1/4	1/4	1/4	£10.38
769LR-SS-1/4-3/8	1/4	3/8	£14.53
769LR-SS-1/4-1/2	1/4	1/2	£16.63
769LR-SS-3/8-1/8	3/8	1/8	£13.31
769LR-SS-3/8-1/4	3/8	1/4	£12.88
769LR-SS-3/8-3/8	3/8	3/8	£15.54
769LR-SS-3/8-1/2	3/8	1/2	£19.93
769LR-SS-1/2-1/4	1/2	1/4	£18.29
769LR-SS-1/2-3/8	1/2	3/8	£18.29
769LR-SS-1/2-1/2	1/2	1/2	£22.74
769LR-SS-3/4-1/2	3/4	1/2	£27.72
769LR-SS-3/4-3/4	3/4	3/4	£27.72
769LR-SS-1-1	1	1	£54.00

316 Stainless Steel Twin Ferrule Imperial Tube Fittings

01

Female Tube Fittings

Female Run Tee

Female Thread NPT



PGC: 243	OD (")	NPT	Price
771LF-SS-1/8-1/8	1/8	1/8	£23.19
771LF-SS-1/4-1/8	1/4	1/8	£21.91
771LF-SS-1/4-1/4	1/4	1/4	£24.84
771LF-SS-3/8-1/4	3/8	1/4	£25.61
771LF-SS-1/2-1/2	1/2	1/2	£41.58
771LF-SS-3/4-3/4	3/4	3/4	£71.22

Female Branch Tee

Female Thread NPT



PGC: 243	OD (")	NPT	Price
772LF-SS-1/8-1/8	1/8	1/8	£23.19
772LF-SS-1/4-1/8	1/4	1/8	£21.22
772LF-SS-1/4-1/4	1/4	1/4	£24.84
772LF-SS-3/8-1/4	3/8	1/4	£25.61
772LF-SS-1/2-1/4	1/2	1/4	£38.79
772LF-SS-1/2-3/8	1/2	3/8	£36.30
772LF-SS-1/2-1/2	1/2	1/2	£41.58
772LF-SS-3/4-3/4	3/4	3/4	£71.22
772LF-SS-1-1	1	1	£127.38

Female Connector

Female Thread BSPP



PGC: 243	OD (")	BSPP	Price
766LG-SS-1/8-1/4	1/8	1/4	£10.92
766LG-SS-1/4-1/8	1/4	1/8	£9.21
766LG-SS-1/4-1/4	1/4	1/4	£11.44
766LG-SS-1/4-3/8	1/4	3/8	£13.99
766LG-SS-1/4-1/2	1/4	1/2	£15.57
766LG-SS-3/8-1/4	3/8	1/4	£11.78
766LG-SS-3/8-3/8	3/8	3/8	£15.48
766LG-SS-3/8-1/2	3/8	1/2	£20.46
766LG-SS-1/2-1/4	1/2	1/4	£16.16
766LG-SS-1/2-3/8	1/2	3/8	£16.64

Female Connector

Female Thread NPT



PGC: 243	OD (")	NPT	Price
766L-SS-1/8-1/8	1/8	1/8	£7.20
766L-SS-1/8-1/4	1/8	1/4	£8.41
766L-SS-1/4-1/8	1/4	1/8	£7.08
766L-SS-1/4-1/4	1/4	1/4	£8.80
766L-SS-1/4-3/8	1/4	3/8	£10.76
766L-SS-1/4-1/2	1/4	1/2	£11.98
766L-SS-3/8-1/8	3/8	1/8	£9.24
766L-SS-3/8-1/4	3/8	1/4	£9.06
766L-SS-3/8-3/8	3/8	3/8	£11.92
766L-SS-3/8-1/2	3/8	1/2	£15.74
766L-SS-3/8-3/4	3/8	3/4	£21.97
766L-SS-1/2-1/4	1/2	1/4	£12.42
766L-SS-1/2-3/8	1/2	3/8	£12.80
766L-SS-1/2-1/2	1/2	1/2	£17.59
766L-SS-1/2-3/4	1/2	3/4	£21.03
766L-SS-3/4-1/2	3/4	1/2	£23.00
766L-SS-3/4-3/4	3/4	3/4	£23.57
766L-SS-1-3/4	1	3/4	£41.66
766L-SS-1-1	1	1	£50.45

Female Connector

Female Thread BSPT



PGC: 243	OD (")	BSPT	Price
766LR-SS-1/4-1/8	1/4	1/8	£7.08
766LR-SS-1/4-1/4	1/4	1/4	£8.80
766LR-SS-1/4-3/8	1/4	3/8	£10.76
766LR-SS-3/8-1/4	3/8	1/4	£9.24
766LR-SS-3/8-3/8	3/8	3/8	£11.92
766LR-SS-3/8-1/2	3/8	1/2	£15.74
766LR-SS-1/2-1/4	1/2	1/4	£12.42
766LR-SS-1/2-3/8	1/2	3/8	£12.80
766LR-SS-1/2-1/2	1/2	1/2	£17.59
766LR-SS-3/4-3/4	3/4	3/4	£23.57
766LR-SS-1-1	1	1	£50.45

Female Bulkhead

Female Thread NPT



PGC: 243	OD (")	NPT	Price
774LF-SS-1/8-1/8	1/8	1/8	£23.12
774LF-SS-1/4-1/8	1/4	1/8	£13.56
774LF-SS-1/4-1/4	1/4	1/4	£13.65
774LF-SS-3/8-3/8	3/8	3/8	£20.38
774LF-SS-1/2-1/2	1/2	1/2	£29.94

Female Elbow

Female Thread NPT



PGC: 243	OD (")	NPT	Price
770L-SS-1/8-1/8	1/8	1/8	£14.66
770L-SS-1/8-1/4	1/8	1/4	£17.20
770L-SS-1/4-1/8	1/4	1/8	£12.80
770L-SS-1/4-1/4	1/4	1/4	£14.53
770L-SS-3/8-1/8	3/8	1/8	£14.22
770L-SS-3/8-1/4	3/8	1/4	£14.97
770L-SS-3/8-3/8	3/8	3/8	£16.82
770L-SS-3/8-1/2	3/8	1/2	£24.84
770L-SS-1/2-1/4	1/2	1/4	£19.25
770L-SS-1/2-3/8	1/2	3/8	£20.38
770L-SS-1/2-1/2	1/2	1/2	£27.51

Male Tube Adaptors

Male Tube Adaptor

Male Thread NPT



PGC: 243	OD (")	NPT	Price
739LM-SS-1/8-1/8	1/8	1/8	£4.79
739LM-SS-1/8-1/4	1/8	1/4	£5.42
739LM-SS-1/4-1/8	1/4	1/8	£4.22
739LM-SS-1/4-1/4	1/4	1/4	£4.53
739LM-SS-1/4-3/8	1/4	3/8	£5.92
739LM-SS-1/4-1/2	1/4	1/2	£7.90
739LM-SS-3/8-1/8	3/8	1/8	£5.61
739LM-SS-3/8-1/4	3/8	1/4	£6.00
739LM-SS-3/8-3/8	3/8	3/8	£7.08
739LM-SS-3/8-1/2	3/8	1/2	£8.41
739LM-SS-1/2-1/4	1/2	1/4	£9.06
739LM-SS-1/2-3/8	1/2	3/8	£9.50
739LM-SS-1/2-1/2	1/2	1/2	£10.14
739LM-SS-3/4-1/2	3/4	1/2	£14.84
739LM-SS-3/4-3/4	3/4	3/4	£15.48
739LM-SS-1-3/4	1	3/4	£28.60
739LM-SS-1-1	1	1	£27.20

Male Tube Adaptor

Male Thread BSPT



PGC: 243	OD (")	BSPT	Price
739LMR-SS-1/8-1/8	1/8	1/8	£4.79
739LMR-SS-1/4-1/8	1/4	1/8	£4.22
739LMR-SS-1/4-1/4	1/4	1/4	£4.53
739LMR-SS-1/4-3/8	1/4	3/8	£5.92
739LMR-SS-3/8-1/4	3/8	1/4	£6.00
739LMR-SS-3/8-3/8	3/8	3/8	£7.08
739LMR-SS-3/8-1/2	3/8	1/2	£8.41
739LMR-SS-1/2-1/4	1/2	1/4	£9.06
739LMR-SS-1/2-3/8	1/2	3/8	£9.50
739LMR-SS-1/2-1/2	1/2	1/2	£10.14

Male Tube Adaptor

Male Thread BSPP



PGC: 243	OD (")	BSPP	Price
739LMG-SS-1/8-1/8	1/8	1/8	£6.23
739LMG-SS-1/8-1/4	1/8	1/4	£7.36
739LMG-SS-1/4-1/8	1/4	1/8	£5.49
739LMG-SS-1/4-1/4	1/4	1/4	£5.89
739LMG-SS-1/4-3/8	1/4	3/8	£7.69
739LMG-SS-3/8-1/4	3/8	1/4	£7.80
739LMG-SS-3/8-3/8	3/8	3/8	£9.21
739LMG-SS-3/8-1/2	3/8	1/2	£10.92
739LMG-SS-1/2-1/4	1/2	1/4	£11.78
739LMG-SS-1/2-3/8	1/2	3/8	£17.74
739LMG-SS-1/2-1/2	1/2	1/2	£13.18

Female Tube Adaptor

Female Thread BSPP



PGC: 243	OD (")	BSPP	Price
739LFG-SS-1/8-1/8	1/8	1/8	£7.04
739LFG-SS-1/4-1/4	1/4	1/4	£10.01
739LFG-SS-3/8-1/4	3/8	1/4	£10.03
739LFG-SS-3/8-3/8	3/8	3/8	£15.29
739LFG-SS-1/2-1/2	1/2	1/2	£22.04

Ferrules

Front Ferrule



PGC: 239	OD (")	Price
760LF-SS-1/16	1/16	£1.59
760LF-SS-1/8	1/8	£1.03
760LF-SS-1/4	1/4	£0.90
760LF-SS-3/8	3/8	£1.03
760LF-SS-1/2	1/2	£1.47
760LF-SS-3/4	3/4	£2.29
760LF-SS-1	1	£4.09

Rear Ferrule



PGC: 239	OD (")	Price
760LB-SS-1/16	1/16	£1.53
760LB-SS-1/8	1/8	£0.96
760LB-SS-1/4	1/4	£0.77
760LB-SS-3/8	3/8	£0.96
760LB-SS-1/2	1/2	£1.34
760LB-SS-3/4	3/4	£2.04
760LB-SS-1	1	£3.19

Female Tube Adaptors

Female Tube Adaptor

Female Thread NPT



PGC: 243	OD (")	NPT	Price
739LF-SS-1/8-1/8	1/8	1/8	£5.92
739LF-SS-1/8-1/4	1/8	1/4	£7.39
739LF-SS-1/4-1/8	1/4	1/8	£6.00
739LF-SS-1/4-1/4	1/4	1/4	£7.39
739LF-SS-1/4-3/8	1/4	3/8	£8.86
739LF-SS-3/8-1/4	3/8	1/4	£7.71
739LF-SS-3/8-3/8	3/8	3/8	£10.01
739LF-SS-3/8-1/2	3/8	1/2	£13.14
739LF-SS-1/2-1/4	1/2	1/4	£10.19
739LF-SS-1/2-3/8	1/2	3/8	£10.45
739LF-SS-1/2-1/2	1/2	1/2	£14.84
739LF-SS-3/4-3/4	3/4	3/4	£19.11
739LF-SS-1-1	1	1	£41.08

Reducers

Reducer

Imperial to Imperial



PGC: 243	OD 1 (")	OD 2 (")	Price
767LT-SS-1/8-1/4	1/8	1/4	£6.95
767LT-SS-1/4-1/8	1/4	1/8	£9.24
767LT-SS-1/4-3/8	1/4	3/8	£7.08
767LT-SS-1/4-1/2	1/4	1/2	£8.16
767LT-SS-3/8-1/4	3/8	1/4	£9.24
767LT-SS-3/8-1/2	3/8	1/2	£9.62
767LT-SS-1/2-1/4	1/2	1/4	£13.76
767LT-SS-1/2-3/8	1/2	3/8	£11.79
767LT-SS-1/2-3/4	1/2	3/4	£11.79
767LT-SS-3/4-1/2	3/4	1/2	£23.64
767LT-SS-3/4-1	3/4	1	£27.15

Reducer

Metric to Imperial



PGC: 243	OD 1 (mm)	OD 2 (")	Price
767LT-SS-6-1/8	6	1/8	£9.24
767LT-SS-6-1/4	6	1/4	£7.27
767LT-SS-6-3/8	6	3/8	£7.08
767LT-SS-6-1/2	6	1/2	£8.16
767LT-SS-8-3/8	8	3/8	£7.27
767LT-SS-8-1/2	8	1/2	£7.53
767LT-SS-10-3/8	10	3/8	£10.26
767LT-SS-10-1/2	10	1/2	£9.62
767LT-SS-12-1/2	12	1/2	£11.79

Female Tube Adaptor

Female Thread BSPT



PGC: 243	OD (")	BSPT	Price
739LFR-SS-1/4-1/8	1/4	1/8	£6.00
739LFR-SS-1/4-1/4	1/4	1/4	£7.39
739LFR-SS-1/4-3/8	1/4	3/8	£8.86
739LFR-SS-3/8-1/8	3/8	1/8	£7.59
739LFR-SS-3/8-1/4	3/8	1/4	£7.71
739LFR-SS-3/8-3/8	3/8	3/8	£10.01
739LFR-SS-1/2-3/8	1/2	3/8	£10.45
739LFR-SS-1/2-1/2	1/2	1/2	£14.84

Ferrule Set



- All Let-Lok® ferrules are available as sets
- Simplify stocking and assembly
- Prevents damage of single ferrules during shipping
- In packs of 10 pairs of ferrules per set – ready for easy assembly

PGC: 239	OD (")	Price
760LS-SS-1/8-SET	1/8	£20.27
760LS-SS-1/4-SET	1/4	£16.63
760LS-SS-3/8-SET	3/8	£21.11
760LS-SS-1/2-SET	1/2	£28.99
760LS-SS-3/4-SET	3/4	£44.78
760LS-SS-1-SET	1	£74.61

316 Stainless Steel Twin Ferrule Imperial Tube Fittings

01

Nuts

Compression Nut



PGC: 239	OD (")	Price
761L-SS-1/16	1/16	£2.55
761L-SS-1/8	1/8	£1.67
761L-SS-1/4	1/4	£1.47
761L-SS-3/8	3/8	£2.04
761L-SS-1/2	1/2	£3.37
761L-SS-3/4	3/4	£5.56
761L-SS-1	1	£10.59

Tube Inserts

Tube Insert



PGC: 243	OD (")	ID (")	Price
760LI-SS-1/4-1/8	1/4	1/8	£1.59
760LI-SS-1/4-3/16	1/4	3/16	£1.72
760LI-SS-5/16-1/4	5/16	1/4	£2.10
760LI-SS-3/8-1/4	3/8	1/4	£1.79
760LI-SS-1/2-1/4	1/2	1/4	£2.55
760LI-SS-1/2-3/8	1/2	3/8	£2.55
760LI-SS-3/4-1/2	3/4	1/2	£4.22

Inspection Gauges

Inspection Gauge

Plastic



• "No-Go" gauge for use in the assembly of 6 mm, 12 mm, 1/4", 3/8" and 1/2" OD LET-LOK® fittings

PGC: 243	Price
3900098	£2.00

Caps

Cap



PGC: 243	OD (")	Price
7108L-SS-1/16	1/16	£6.95
7108L-SS-1/8	1/8	£4.98
7108L-SS-1/4	1/4	£4.34
7108L-SS-3/8	3/8	£5.87
7108L-SS-1/2	1/2	£8.61
7108L-SS-3/4	3/4	£14.01
7108L-SS-1	1	£25.99

Port Connectors

Port Connector



• Connects 2 LET-LOK® ports

PGC: 243	OD (")	Price
767LP-SS-1/16	1/16	£9.06
767LP-SS-1/8	1/8	£5.87
767LP-SS-1/4	1/4	£4.34
767LP-SS-3/8	3/8	£5.30
767LP-SS-1/2	1/2	£9.50
767LP-SS-3/4	3/4	£11.16
767LP-SS-1	1	£16.37

Inspection Gauge

Aluminium



• High safety gauge for use in the assembly of 3/4" OD / 18 mm OD LET-LOK® fittings

PGC: 243	Price
3901246	£7.47

Plugs

Plug



PGC: 243	OD (")	Price
7121L-SS-1/16	1/16	£8.61
7121L-SS-1/8	1/8	£5.30
7121L-SS-1/4	1/4	£4.22
7121L-SS-3/8	3/8	£4.79
7121L-SS-1/2	1/2	£7.08
7121L-SS-3/4	3/4	£11.22
7121L-SS-1	1	£22.74

Reducing Port Connector

Connector



• Connects 2 LET-LOK® ports

PGC: 243	OD 1 (")	OD 2 (")	Price
767LM-SS-1/8-1/16	1/8	1/16	£14.78
767LM-SS-1/4-1/16	1/4	1/16	£22.74
767LM-SS-1/4-1/8	1/4	1/8	£9.82
767LM-SS-3/8-1/4	3/8	1/4	£5.61
767LM-SS-1/2-1/4	1/2	1/4	£9.62
767LM-SS-1/2-3/8	1/2	3/8	£9.62
767LM-SS-3/4-1/2	3/4	1/2	£13.89

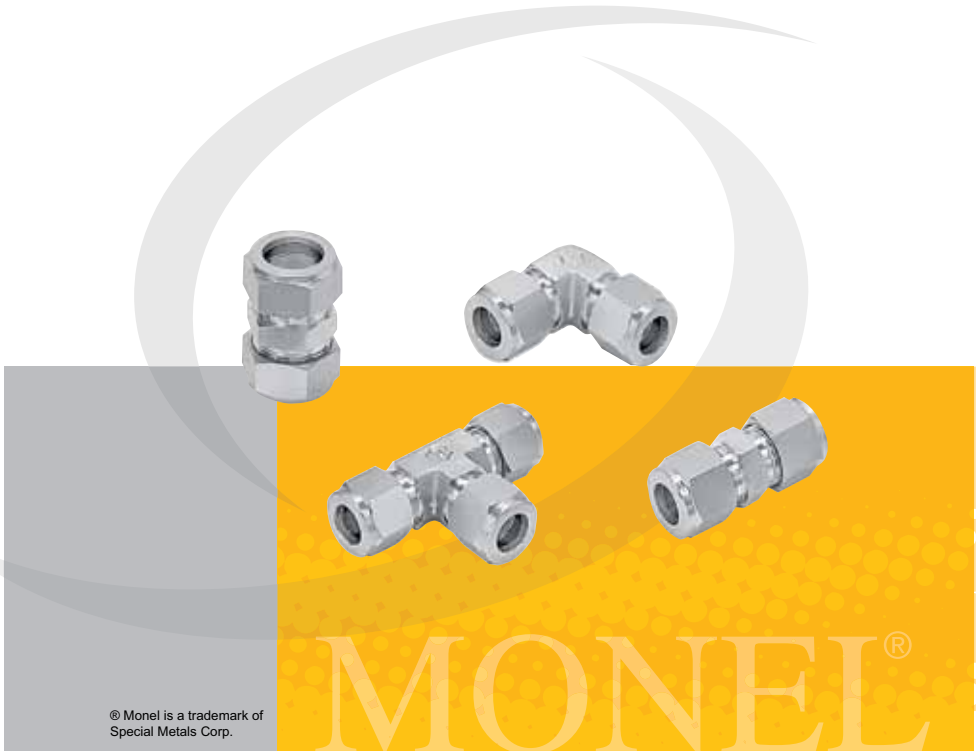
SANDVIK

SUPERIOR QUALITY
GRADE 316L
STAINLESS STEEL TUBE

See Page 62



**MONEL® NICKEL-COPPER
ALLOY 400/R-405
CONNECTORS**



© Monel is a trademark of Special Metals Corp.

Monel® nickel-copper alloy 400 is a solid-solution alloy that can be hardened only by cold working. It has high strength and toughness over a wide temperature range along with excellent resistance to many corrosive environments. Alloy 400 is widely used in many fields, especially marine and chemical processing.

Male Connector
Male Thread NPT



PGC: 238	OD (")	NPT	Price
768L-M-1/2-1/2	1/2	1/2	POA

Union Tee



PGC: 238	OD (")	Price
764L-M-1/4	1/4	POA
764L-M-1/2	1/2	POA

Male Elbow
Male Thread NPT



PGC: 238	OD (")	NPT	Price
769L-M-1/4-1/4	1/4	1/4	POA
769L-M-1/2-1/2	1/2	1/2	POA

Brass Metric Tube Fittings - Twin Ferrule

Tube to Tube Unions

Union



PGC: 242	OD (mm)	Price
762L-B-6	6	£2.64
762L-B-8	8	£2.70
762L-B-10	10	£3.66
762L-B-12	12	£6.13

Union Bulkhead



PGC: 242	OD (mm)	Price
774L-B-6	6	£4.32
774L-B-8	8	£4.61
774L-B-10	10	£5.51
774L-B-12	12	£8.88

Male Elbows

Male Elbow

Male Thread NPT



PGC: 242	OD (mm)	NPT	Price
769L-B-6-1/8	6	1/8	£4.11
769L-B-6-1/4	6	1/4	£4.55
769L-B-6-1/2	6	1/2	£8.95
769L-B-8-1/4	8	1/4	£4.55
769L-B-8-3/8	8	3/8	£7.19
769L-B-10-1/4	10	1/4	£5.11
769L-B-10-3/8	10	3/8	£5.85
769L-B-12-1/2	12	1/2	£7.08

Union Elbow



PGC: 242	OD (mm)	Price
765L-B-6	6	£4.61
765L-B-8	8	£6.01
765L-B-10	10	£6.07
765L-B-12	12	£8.88

Male Connectors

Male Connector

Male Thread NPT



PGC: 242	OD (mm)	NPT	Price
768L-B-6-1/8	6	1/8	£2.20
768L-B-6-1/4	6	1/4	£2.20
768L-B-8-1/8	8	1/8	£2.42
768L-B-8-1/4	8	1/4	£2.42
768L-B-10-1/4	10	1/4	£2.64
768L-B-10-3/8	10	3/8	£3.04
768L-B-12-1/2	12	1/2	£5.06

Male Elbow

Male Thread BSPT



PGC: 242	OD (mm)	BSPT	Price
769LR-B-6-1/8	6	1/8	£4.11
769LR-B-6-1/4	6	1/4	£4.55
769LR-B-8-1/8	8	1/8	£4.27
769LR-B-8-1/4	8	1/4	£4.55
769LR-B-10-1/4	10	1/4	£5.11
769LR-B-10-3/8	10	3/8	£3.04
769LR-B-12-1/2	12	1/2	£5.06

Union Tee



PGC: 242	OD (mm)	Price
764L-B-6	6	£7.31
764L-B-8	8	£8.15
764L-B-10	10	£8.20
764L-B-12	12	£12.19

Male Connector

Male Thread BSPT



PGC: 242	OD (mm)	BSPT	Price
768LR-B-6-1/8	6	1/8	£2.20
768LR-B-6-1/4	6	1/4	£2.20
768LR-B-8-1/8	8	1/8	£2.42
768LR-B-8-1/4	8	1/4	£2.42
768LR-B-10-1/4	10	1/4	£2.64
768LR-B-10-3/8	10	3/8	£3.04
768LR-B-12-1/2	12	1/2	£5.06

These products represent only a small selection of the LET-LOK® Brass Metric range; other fittings and sizes are available on request.

Brass Imperial Tube Fittings - Twin Ferrule

Tube to Tube Unions

Union



PGC: 242	OD (")	Price
762L-B-1/8	1/8	£3.43
762L-B-1/4	1/4	£2.64
762L-B-3/8	3/8	£3.66
762L-B-1/2	1/2	£6.01

Union Bulkhead



PGC: 242	OD (")	Price
774L-B-1/8	1/8	£4.95
774L-B-1/4	1/4	£4.32
774L-B-3/8	3/8	£5.51
774L-B-1/2	1/2	£8.88

Male Elbows

Male Elbow Male Thread NPT



PGC: 242	OD (")	NPT	Price
769L-B-1/8-1/8	1/8	1/8	£4.61
769L-B-1/8-1/4	1/8	1/4	£4.50
769L-B-1/4-1/8	1/4	1/8	£2.20
769L-B-1/4-1/4	1/4	1/4	£4.55
769L-B-3/8-1/4	3/8	1/4	£5.11
769L-B-3/8-3/8	3/8	3/8	£5.85
769L-B-1/2-1/2	1/2	1/2	£7.08

Union Elbow



PGC: 242	OD (")	Price
765L-B-1/8	1/8	£5.67
765L-B-1/4	1/4	£4.61
765L-B-3/8	3/8	£6.07
765L-B-1/2	1/2	£8.88

Male Connectors

Male Connector Male Thread NPT



PGC: 242	OD (")	NPT	Price
768L-B-1/8-1/8	1/8	1/8	£2.31
768L-B-1/8-1/4	1/8	1/4	£2.53
768L-B-1/4-1/8	1/4	1/8	£2.20
768L-B-1/4-1/4	1/4	1/4	£2.20
768L-B-3/8-1/4	3/8	1/4	£2.64
768L-B-3/8-3/8	3/8	3/8	£3.04
768L-B-1/2-1/2	1/2	1/2	£5.06

Male Elbow Male Thread BSPT



PGC: 242	OD (")	BSPT	Price
769LR-B-1/8-1/8	1/8	1/8	£4.61
769LR-B-1/8-1/4	1/8	1/4	£5.85
769LR-B-1/4-1/8	1/4	1/8	£4.11
769LR-B-1/4-1/4	1/4	1/4	£4.55
769LR-B-3/8-1/4	3/8	1/4	£5.11
769LR-B-3/8-3/8	3/8	3/8	£5.85
769LR-B-1/2-1/2	1/2	1/2	£7.08

Union Tee



PGC: 242	OD (")	Price
764L-B-1/8	1/8	£7.20
764L-B-1/4	1/4	£7.31
764L-B-3/8	3/8	£8.20
764L-B-1/2	1/2	£12.19

Male Connector Male Thread BSPT



PGC: 242	OD (")	BSPT	Price
768LR-B-1/8-1/8	1/8	1/8	£2.31
768LR-B-1/8-1/4	1/8	1/4	£2.53
768LR-B-1/4-1/8	1/4	1/8	£2.20
768LR-B-1/4-1/4	1/4	1/4	£2.20
768LR-B-3/8-1/4	3/8	1/4	£2.64
768LR-B-3/8-3/8	3/8	3/8	£3.04
768LR-B-1/2-1/2	1/2	1/2	£5.06

These products represent only a small selection of the LET-LOK® Brass Imperial range; other fittings and sizes are available on request.

316 Stainless Steel Metric Tube Fittings - Single Ferrule

ONE-LOK[®] tube fittings are made up of three parts that are precision engineered and machined: body, ferrule and nut. ONE-LOK[®] is designed for use in control systems, process and instrumentation devices and in industrial equipment. ONE-LOK[®] offers a simple, high-quality tube fitting with excellent performance and reliability

Tube to Tube Unions

Union



PGC: 246	OD (mm)	Price
762HL-SS-6	6	£8.41
762HL-SS-8	8	£9.50
762HL-SS-10	10	£11.98
762HL-SS-12	12	£17.97

Union Elbow



PGC: 246	OD (mm)	Price
765HL-SS-6	6	£12.24
765HL-SS-8	8	£12.80
765HL-SS-10	10	£14.97
765HL-SS-12	12	£24.66

Union Tee



PGC: 246	OD (mm)	Price
764HL-SS-6	6	£17.26
764HL-SS-8	8	£19.82
764HL-SS-10	10	£22.56
764HL-SS-12	12	£34.33

Union Bulkhead



PGC: 246	OD (mm)	Price
774HL-SS-6	6	£12.88
774HL-SS-8	8	£14.71
774HL-SS-10	10	£18.68
774HL-SS-12	12	£26.05

Male Connectors

Male Connector

Male Thread NPT



PGC: 246	OD (mm)	NPT	Price
768HL-SS-6-1/8	6	1/8	£5.23
768HL-SS-6-1/4	6	1/4	£5.42
768HL-SS-8-1/8	8	1/8	£6.09
768HL-SS-8-1/4	8	1/4	£6.95
768HL-SS-10-1/4	10	1/4	£7.39
768HL-SS-10-3/8	10	3/8	£8.41
768HL-SS-12-1/2	12	1/2	£12.42

Male Connector

Male Thread BSPT



PGC: 246	OD (mm)	BSPT	Price
768HLR-SS-6-1/8	6	1/8	£5.43
768HLR-SS-6-1/4	6	1/4	£5.62
768HLR-SS-8-1/8	8	1/8	£6.09
768HLR-SS-8-1/4	8	1/4	£7.20
768HLR-SS-10-1/4	10	1/4	£7.66
768HLR-SS-10-3/8	10	3/8	£8.72
768HLR-SS-12-1/2	12	1/2	£12.88

Male Elbows

Male Elbow

Male Thread NPT



PGC: 246	OD (mm)	NPT	Price
769HL-SS-6-1/8	6	1/8	£9.62
769HL-SS-6-1/4	6	1/4	£10.38
769HL-SS-6-1/2	6	1/2	£7.39
769HL-SS-8-1/4	8	1/4	£10.71
769HL-SS-8-3/8	8	3/8	£15.54
769HL-SS-10-1/4	10	1/4	£13.34
769HL-SS-10-3/8	10	3/8	£15.54
769HL-SS-12-1/2	12	1/2	£23.54

Male Elbow

Male Thread BSPT



PGC: 246	OD (mm)	BSPT	Price
769HLR-SS-6-1/8	6	1/8	£9.97
769HLR-SS-6-1/4	6	1/4	£10.76
769HLR-SS-8-1/8	8	1/8	£10.76
769HLR-SS-8-1/4	8	1/4	£11.46
769HLR-SS-10-1/4	10	1/4	£13.34
769HLR-SS-10-3/8	10	3/8	£16.11
769HLR-SS-12-1/2	12	1/2	£23.54

These products represent only a small selection of the ONE-LOK[®] Stainless Steel Metric range; other fittings and sizes are available on request.

316 Stainless Steel Imperial Tube Fittings - Single Ferrule

Tube to Tube Unions

Union



PGC: 246	OD (")	Price
762HL-SS-1/8	1/8	£8.47
762HL-SS-1/4	1/4	£8.41
762HL-SS-3/8	3/8	£11.98
762HL-SS-1/2	1/2	£17.97

Union Bulkhead



PGC: 246	OD (")	Price
774HL-SS-1/8	1/8	£17.82
774HL-SS-1/4	1/4	£12.42
774HL-SS-3/8	3/8	£18.03
774HL-SS-1/2	1/2	£26.05

Male Elbows

Male Elbow Male Thread NPT



PGC: 246	OD (")	NPT	Price
769HL-SS-1/8-1/8	1/8	1/8	£9.17
769HL-SS-1/8-1/4	1/8	1/4	£9.82
769HL-SS-1/4-1/8	1/4	1/8	£9.62
769HL-SS-1/4-1/4	1/4	1/4	£10.38
769HL-SS-3/8-1/4	3/8	1/4	£12.88
769HL-SS-3/8-3/8	3/8	3/8	£15.54
769HL-SS-1/2-1/2	1/2	1/2	£22.74

Union Elbow



PGC: 246	OD (")	Price
765HL-SS-1/8	1/8	£11.47
765HL-SS-1/4	1/4	£12.24
765HL-SS-3/8	3/8	£14.97
765HL-SS-1/2	1/2	£24.66

Male Connectors

Male Connector Male Thread NPT



PGC: 246	OD (")	NPT	Price
768HL-SS-1/8-1/8	1/8	1/8	£5.61
768HL-SS-1/8-1/4	1/8	1/4	£8.38
768HL-SS-1/4-1/8	1/4	1/8	£5.23
768HL-SS-1/4-1/4	1/4	1/4	£5.42
768HL-SS-3/8-1/4	3/8	1/4	£7.39
768HL-SS-3/8-3/8	3/8	3/8	£8.41
768HL-SS-1/2-1/2	1/2	1/2	£12.42

Male Elbow Male Thread BSPT



PGC: 246	OD (")	BSPT	Price
769HLR-SS-1/8-1/8	1/8	1/8	£9.51
769HLR-SS-1/8-1/4	1/8	1/4	£10.47
769HLR-SS-1/4-1/8	1/4	1/8	£9.97
769HLR-SS-1/4-1/4	1/4	1/4	£10.76
769HLR-SS-3/8-1/4	3/8	1/4	£12.88
769HLR-SS-3/8-3/8	3/8	3/8	£17.88
769HLR-SS-1/2-1/2	1/2	1/2	£22.74

Union Tee



PGC: 246	OD (")	Price
764HL-SS-1/8	1/8	£19.26
764HL-SS-1/4	1/4	£17.26
764HL-SS-3/8	3/8	£22.56
764HL-SS-1/2	1/2	£34.33

Male Connector Male Thread BSPT



PGC: 246	OD (")	BSPT	Price
768HLR-SS-1/8-1/8	1/8	1/8	£5.82
768HLR-SS-1/8-1/4	1/8	1/4	£6.61
768HLR-SS-1/4-1/8	1/4	1/8	£5.51
768HLR-SS-1/4-1/4	1/4	1/4	£5.62
768HLR-SS-3/8-1/4	3/8	1/4	£9.61
768HLR-SS-3/8-3/8	3/8	3/8	£8.41
768HLR-SS-1/2-1/2	1/2	1/2	£12.42

These products represent only a small selection of the ONE-LOK[®] Stainless Steel Imperial range; other fittings and sizes are available on request.

Brass Metric Tube Fittings

Tube to Tube Unions

Union



PGC: 245	OD (mm)	Price
762HL-B-6	6	£2.82
762HL-B-8	8	£3.05
762HL-B-10	10	£3.78
762HL-B-12	12	£6.34

Union Bulkhead



PGC: 245	OD (mm)	Price
774HL-B-6	6	£4.49
774HL-B-8	8	£4.79
774HL-B-10	10	£5.71
774HL-B-12	12	£9.20

Male Elbows

Male Elbow

Male Thread NPT



PGC: 245	OD (mm)	NPT	Price
769HL-B-6-1/8	6	1/8	£4.25
769HL-B-6-1/4	6	1/4	£4.71
769HL-B-6-1/2	6	1/2	£8.95
769HL-B-8-1/4	8	1/4	£4.71
769HL-B-8-3/8	8	3/8	£7.19
769HL-B-10-1/4	10	1/4	£5.31
769HL-B-10-3/8	10	3/8	£6.06
769HL-B-12-1/2	12	1/2	£7.34

Union Elbow



PGC: 245	OD (mm)	Price
765HL-B-6	6	£4.77
765HL-B-8	8	£6.23
765HL-B-10	10	£6.29
765HL-B-12	12	£9.18

Male Connectors

Male Connector

Male Thread NPT



PGC: 245	OD (mm)	NPT	Price
768HL-B-6-1/8	6	1/8	£2.28
768HL-B-6-1/4	6	1/4	£2.28
768HL-B-8-1/8	8	1/8	£2.50
768HL-B-8-1/4	8	1/4	£2.50
768HL-B-10-1/4	10	1/4	£2.74
768HL-B-10-3/8	10	3/8	£3.15
768HL-B-12-1/2	12	1/2	£5.24

Male Elbow

Male Thread BSPT



PGC: 245	OD (mm)	BSPT	Price
769HLR-B-6-1/8	6	1/8	£4.32
769HLR-B-6-1/4	6	1/4	£4.69
769HLR-B-8-1/8	8	1/8	£4.42
769HLR-B-8-1/4	8	1/4	£4.71
769HLR-B-10-1/4	10	1/4	£5.30
769HLR-B-10-3/8	10	3/8	£6.06
769HLR-B-12-1/2	12	1/2	£7.41

Union Tee



PGC: 245	OD (mm)	Price
764HL-B-6	6	£7.58
764HL-B-8	8	£8.44
764HL-B-10	10	£8.60
764HL-B-12	12	£12.62

Male Connector

Male Thread BSPT



PGC: 245	OD (mm)	BSPT	Price
768HLR-B-6-1/8	6	1/8	£2.28
768HLR-B-6-1/4	6	1/4	£2.28
768HLR-B-8-1/8	8	1/8	£2.50
768HLR-B-8-1/4	8	1/4	£2.50
768HLR-B-10-1/4	10	1/4	£2.74
768HLR-B-10-3/8	10	3/8	£3.15
768HLR-B-12-1/2	12	1/2	£5.24

These products represent only a small selection of the ONE-LOK[®] Brass Metric range; other fittings and sizes are available on request.

Brass Imperial Tube Fittings

Tube to Tube Unions

Union



PGC: 245	OD (")	Price
762HL-B-1/8	1/8	£3.56
762HL-B-1/4	1/4	£2.64
762HL-B-3/8	3/8	£3.66
762HL-B-1/2	1/2	£6.01

Union Bulkhead



PGC: 245	OD (")	Price
774HL-B-1/8	1/8	£5.12
774HL-B-1/4	1/4	£4.32
774HL-B-3/8	3/8	£5.51
774HL-B-1/2	1/2	£8.88

Male Elbows

Male Elbow

Male Thread NPT



PGC: 245	OD (")	NPT	Price
769HL-B-1/8-1/8	1/8	1/8	£4.84
769HL-B-1/8-1/4	1/8	1/4	£5.38
769HL-B-1/4-1/8	1/4	1/8	£4.11
769HL-B-1/4-1/4	1/4	1/4	£4.55
769HL-B-3/8-1/4	3/8	1/4	£5.11
769HL-B-3/8-3/8	3/8	3/8	£5.85
769HL-B-1/2-1/2	1/2	1/2	£7.08

Union Elbow



PGC: 245	OD (")	Price
765HL-B-1/8	1/8	£5.88
765HL-B-1/4	1/4	£4.61
765HL-B-3/8	3/8	£6.07
765HL-B-1/2	1/2	£8.88

Male Connectors

Male Connector

Male Thread NPT



PGC: 245	OD (")	NPT	Price
768HL-B-1/8-1/8	1/8	1/8	£2.36
768HL-B-1/8-1/4	1/8	1/4	£2.65
768HL-B-1/4-1/8	1/4	1/8	£2.20
768HL-B-1/4-1/4	1/4	1/4	£2.20
768HL-B-3/8-1/4	3/8	1/4	£2.64
768HL-B-3/8-3/8	3/8	3/8	£3.04
768HL-B-1/2-1/2	1/2	1/2	£5.06

Male Elbow

Male Thread BSPT



PGC: 245	OD (")	BSPT	Price
769HLR-B-1/4-1/8	1/4	1/8	£4.32
769HLR-B-1/4-1/4	1/4	1/4	£4.69
769HLR-B-3/8-1/4	3/8	1/4	£2.74
769HLR-B-3/8-3/8	3/8	3/8	£3.04
769HLR-B-1/2-1/2	1/2	1/2	£7.41

Union Tee



PGC: 245	OD (")	Price
764HL-B-1/8	1/8	£7.20
764HL-B-1/4	1/4	£7.31
764HL-B-3/8	3/8	£8.20
764HL-B-1/2	1/2	£12.19

Male Connector

Male Thread BSPT



PGC: 245	OD (")	BSPT	Price
768HLR-B-1/8-1/8	1/8	1/8	£2.36
768HLR-B-1/8-1/4	1/8	1/4	£3.06
768HLR-B-1/4-1/8	1/4	1/8	£2.28
768HLR-B-1/4-1/4	1/4	1/4	£2.28
768HLR-B-3/8-1/4	3/8	1/4	£2.74
768HLR-B-3/8-3/8	3/8	3/8	£3.04
768HLR-B-1/2-1/2	1/2	1/2	£5.22

These products represent only a small selection of the ONE-LOK[®] Brass Imperial range; other fittings and sizes are available on request.

H-99 Screwed Bonnet Needle Valves

*Quality
you can trust.*



H-99 Series Needle Valve

Female Thread NPT



Temperature Range:
-51°C to +232°C



Working Pressure:
Max. 680 bar
(10,000 psi)

- General service H-99 Series NPT needle valve
- All valves have a regulating stem
- Different stems available on request

PGC: 240	NPT	Working Pressure (psi)	Price
H-99-SS-N-R-1/4-V-SS	1/4	10000	£65.82
H-99-SS-N-R-3/8-V-SS	3/8	8000	£68.04
H-99-SS-N-R-1/2-V-SS	1/2	6000	£70.82

FEATURES

- Blow-out Proof Stem
- MAWP up to 10,000 psi (690 bar)
- MAWT up to 600°C (1112°F)
- Size range: 1/4" to 1" or 6 mm to 25 mm

GENERAL

The H-99 & H-99HP Series offers a general-service valve of rugged design and construction. It is available in stainless steel to suit a wide range of services.

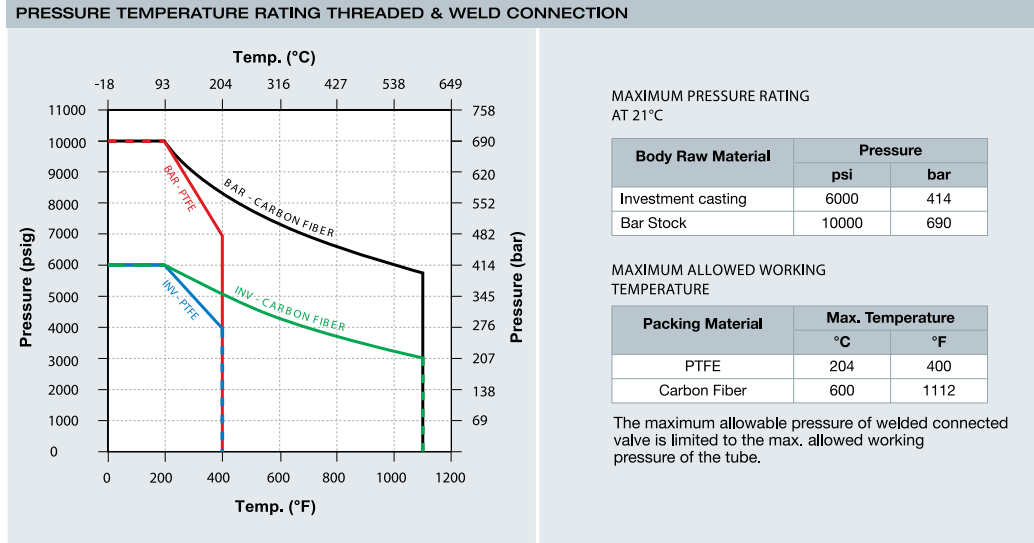
Capable of withstanding high pressures (10,000 psi maximum) and high temperature. This valve is typically used in a severe environment, high pressure sampling systems, high pressure shut-down systems and test stands.

TREATING & PACKAGING

HAM-LET H-99 & H-99HP Needle Valves are treated with HAM-LET Passivation Cleaning and Packaging (Procedure 8075).

Special Cleaning for Oxygen service is available upon request.

PRESSURE TEMPERATURE RATING



TREATING & PACKAGING

The H-99 & H-99HP Series Needle Valve designs have been tested for Proof and Burst. Every H-99 & H-99HP Needle Valve is factory tested with Nitrogen at 1000 psi (69 bar). The maximum allowable leakage across seat is 0.1 std cc/min.

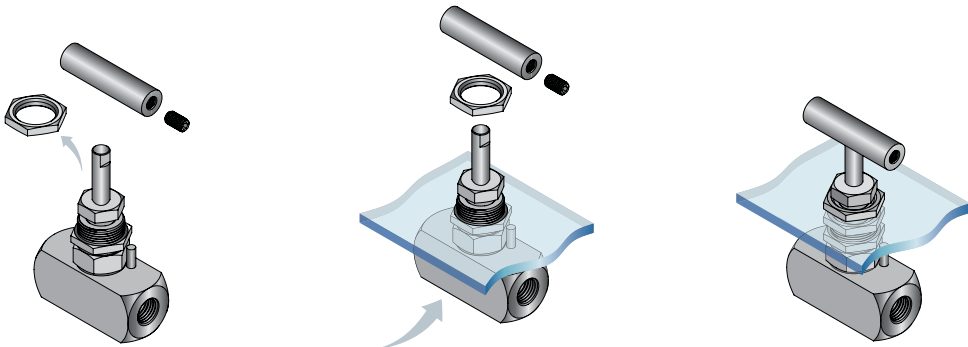
PACKING ADJUSTMENT

Designed to suit a wide range of services, the H99 Series is capable of withstanding high pressures of 10,000 psi (680 bar) maximum.

Applications include:

- Corrosive service
- High-pressure sampling systems
- High-pressure shut-down systems

EASY MOUNTING PROCEDURE



1. Disassemble the handle, using an appropriate hex key. Take off the upper panel nut. Set the lower panel nut into the desired place to determine mounting height.
2. Insert the valve into the panel hole and reassemble the upper panel nut. Firmly tighten the upper nut.
3. Reassemble the handle. Firmly tighten the hex screw.

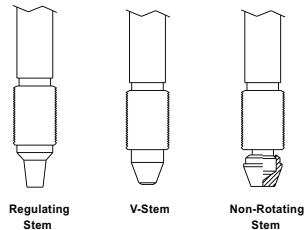
ALTERNATIVE STEMS

HAM-LET Needle Valves are available with a choice of stem-tip options to allow greater flexibility.

Regulating: Used where some degree of flow control is required.

V-Stem: A standard stem tip used for general-purpose liquids and gases.

Non-Rotating: Typically used in high-cycle applications to extend valve life. It is designed to prevent galling between the seat and stem.



H-300U Integral Bonnet Needle Valves

*Quality
you can trust.*



H-300U SERIES


The H-300U Series is an advanced high pressure instrumentation needle valve for shut-off service, its packing bolt design for easy mounting being the best solution for instrumentation panels. This compact valve enables relatively high level of flow regulation and long-life service.


Special stem surface treatment, based on low temperature carbon diffusion, enables higher surface hardness with improved wear resistance, resistance to system contaminations and optimal operational torque.

H-300U Series Needle Valve

Straight LET-LOK®



 **Temperature Range:**
-46°C to +230°C

 **Working Pressure:**
Max. 340 bar
(5000 psi)


- LET-LOK® ended
- 316 stainless steel
- All valves have a regulating stem and PTFE packing
- Different stems and packing available on request
- Round plastic handle


PGC: 240	OD (")	Price
H-300-SS-L-R-1/4-RS	1/4	£50.51
H-300-SS-L-R-3/8-RS	3/8	£69.98
H-300-SS-L-R-1/2-RS	1/2	£72.41

H-300U Series Needle Valve

Straight LET-LOK®



 **Temperature Range:**
-46°C to +230°C

 **Working Pressure:**
Max. 340 bar
(5000 psi)

- LET-LOK® ended
- 316 stainless steel
- All valves have a regulating stem and PTFE packing
- Different stems and packing available on request
- Metal handle

PGC: 240	OD	Price
H-300-SS-L-R-1/4-M	1/4"	£58.07
H-300-SS-L-R-3/8-M	3/8"	£80.46
H-300-SS-L-R-1/2-M	1/2"	£83.26
H-300-SS-L-R-6-M	6 mm	£58.07
H-300-SS-L-R-10-M	10 mm	£80.46
H-300-SS-L-R-12-M	12 mm	£83.26

H-300U SERIES FEATURES

- Straight and angle pattern
- Stainless steel and brass construction
- MAWP 5000 psi (345 bar), MAWT 230°C (446°F)
- Flow coefficient (Cv) 0.09 to 1.8
- Sizes: 1/8" to 3/4" (3 mm - 12 mm)
- Round plastic, round aluminum, and metal bar handles
- Variety of stem types
- Packing bolt for easy panel mounting, no packing disassembling is required
- Chevron stem packing provides lowest operation torques Belleville washers to compensate packing wear
- Special synthetic, anti-seize stem lubricant for best resistance to hot media

CLEANING & PACKAGING

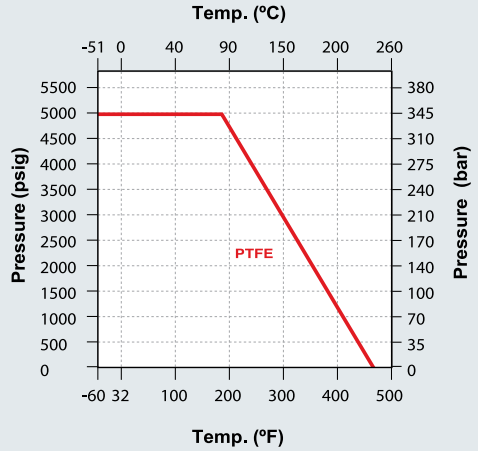
HAM-LET H-300U Needle Valve is treated with Passivation Cleaning and Packaging (Procedure 8075). Oxygen Cleaning and Packaging (Procedure 8055) is available as an option.

TESTING

The H-300U Series Needle Valve design has been tested for Proof and Burst. Every H-300U Needle Valve is factory tested with nitrogen at 1000 psi (69 bar). The maximum allowable leakage across seat is 0.1 std cc/min.

PRESSURE TEMPERATURE RATING

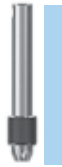
H-300U PRESSURE TEMPERATURE RATING



Spare Round-Handle Kits are available for each valve



8A Regulating:
Used where some degree of flow control is required.



8B V-Stem:
Standard stem tip used for on/off operation in general-purpose liquids and gas service.

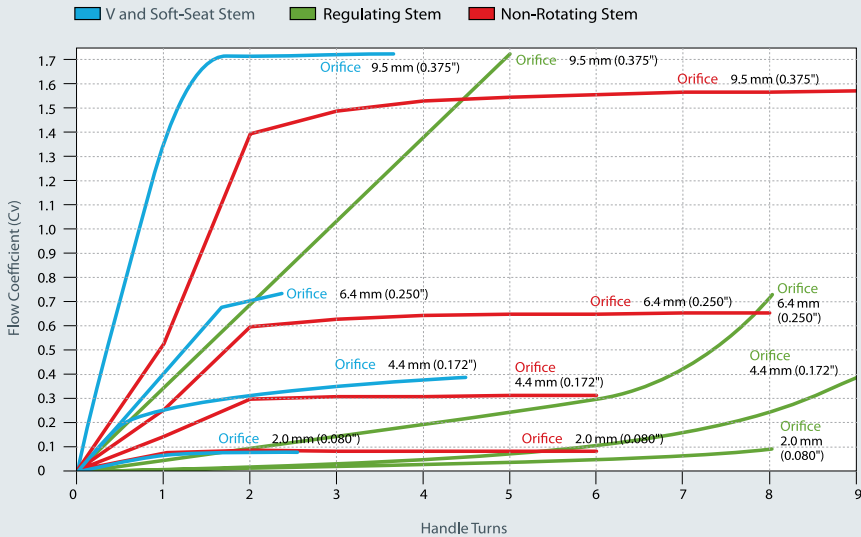


8C Non-Rotating Stem:
Typically used in high-cycle applications to extend valve life and prevent stem rotation inside the body tip, a suitable selection for gaseous high pressure applications.

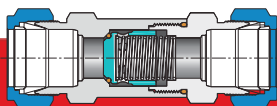


8D Soft Seat:
A soft seat tip requires lower seating torque than a metal stem tip; the best choice for clean gaseous high pressure applications; MAWT is 93°C (200°F).

FLOW DATA: FLOW COEFFICIENT VS. HANDLE TURNS



H-400 Check Valves



*Quality
you can trust.*



GENERAL

The H-400 Series is a compact design for instrumentation panels and systems, which provides an accurate operating point. H-400 valves are normally closed. When differential pressure between inlet and outlet is higher than the set pressure of the spring, the loaded poppet will move backwards and will enable a free passage of flow through the valve.

FEATURES

- 316 Stainless Steel and Brass construction
- Moderate Pressure Characteristics (up to 3000 psi)
- Compact Design
- Variable fixed cracking-pressure springs
- HAM-LET LET-LOK®, Male & Female NPT, and HTC® Face-Seal Bead Ends.

CLEANING & PACKAGING

HAM-LET H-400 valves are treated with HAM-LET Passivation, Cleaning and Packaging (Procedure 8075). HAM-LET H-400 Valves with face seal end connections are treated with HAM-LET Oxygen Cleaning and Packaging (Procedure 8055). Oxygen cleaning and packaging for other end connections are available as an option.

TESTING

The H-400 valve designs have been tested for Proof and Burst. Every H-400 valve is factory tested for proper assembly, by leakage detection at 1000 psig (68 bar) for 10 seconds.

Every H-400 valve is factory tested for functionality at the relevant cracking pressure, 5 cycles each.

H-400 Series Check Valve

Straight LET-LOK®



- LET-LOK® ended
- 1/3 psi cracking pressure
- Other cracking pressures available on request

PGC: 240	OD	Price
H-400-SS-L-1/4-1/3	1/4"	£39.08
H-400-SS-L-3/8-1/3	3/8"	£76.07
H-400-SS-L-1/2-1/3	1/2"	£82.63
H-400-SS-L-6-1/3	6 mm	£38.53
H-400-SS-L-10-1/3	10 mm	£76.07
H-400-SS-L-12-1/3	12 mm	£82.63

H-410 Series Check Valve

Female Thread NPT

3000 psi



Temperature Range:
-23°C to +191°C



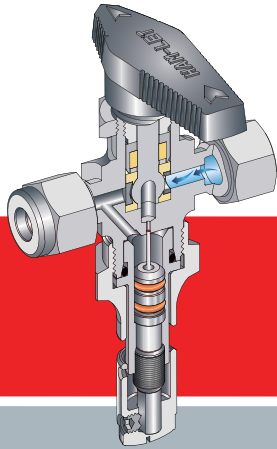
Working Pressure:
3000 psi

- 1/3 psi cracking pressure
- Other cracking pressures available on request

PGC: 240	NPT	Price
H-410-SS-N-1/4-1/3	1/4"	£38.53
H-410-SS-N-3/8-1/3	3/8"	£80.04
H-410-SS-N-1/2-1/3	1/2"	£82.63



Fine Metering & Shut-Off Control Units



METERING BALL VALVE MBV

Quality
you can trust.



Pat. Pending No. 61/376,682



MBV SERIES

The Shut-Off Metering Ball Valve Series delivers industry's highest degree of accurate metering flow for moderate pressure applications.

The MBV series features an innovative and unique shut off capability which allows full control of the process from extra fine regulation to a complete valve shut off. The choice of three precision stem tapers enables metering at flow capacities as low as $Cv=0.0001$ with up to 11 handle turns, the MBV series meets the high demand of precise flow control.

With the option of five O-ring materials the MBV series provides the best temperature and chemical coverage, making it ideal for the Oil & Gas analysing industries.

MBV FEATURES

- On/Off and Metering control
- PFA Encapsulated Ball Stem designed for leak tight shut off service
- Panel Mounting as standard
- Maximum Allowable Working Pressure: 2000 psi (138 bar) for all MBV types
- Maximum Allowable Working Temperature: 150°C (300°F)
- End Connection type options: Let-Lok, One-Lok, threaded and Male Face Seal
- Stem Taper: 1°, 3° and 5° for different flow control regulations
- Five different O-ring materials are available as options
- Actuated On/Off operation is available
- Three optional handle types:
 - Round Aluminum handle
 - Metal slotted handle
 - Vernier handle

MBV Metering Ball Valve



Maximum Temperature:
+150°C

Maximum Working Pressure:
2000 psi (138 bar)



PGG: 240

MBV-H-00-SS-L-1/4

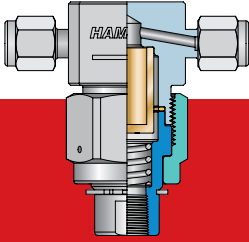
OD (")

1/4

Price

£121.36

T-Type & In-line Filters H-600R & H-600 Series




*Quality
you can trust.*



Process Filter

Inline



 Working Pressure: 3000 psi


- LET-LOK® ended
- 316 Stainless Steel
- Pressure rating: 3000 psi
- Supplied without element

PGC: 243	OD (")	Type	Price
H-600-SS-L-1/4-LESS-ELEMENT	1/4	Inline	£48.48

Process Filter

T-Type

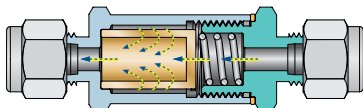


 Working Pressure: 6000 psi

- LET-LOK® ended
- 316 Stainless Steel
- Pressure rating: 6000 psi
- Supplied without element

PGC: 243	OD (")	Type	Price
H-600R-SS-L-1/4-LESS-ELEMENT	1/4	T-Type	£82.24

H-600 INLINE



H-600 SERIES

The H-600 Series is an In-Line filtration device. It will be installed in a system to protect the system components from fluid particles and contaminants.

H-600 FEATURES

- Bar Stock 316 Stainless Steel or Brass Construction
- Moderate Pressure Characteristics (3000 psi in 316 Stainless Steel and 1000 psi in Brass)
- HAM-LET LET-LOK® Ends, Male & Female NPT, and HTC® Face-Seal Bead
- Replaceable sintered filtration elements are available in 0.5, 2, 7, 15, 40, 60, 90, µm.
- Replaceable strainer filtration elements are available in 140, 230, 440µm.

CLEANING & PACKAGING

Packaging (Procedure 8075).
HAM-LET Filters with face-seal end connections are treated with Oxygen Cleaning and Packaging (Procedure 8055). Oxygen Cleaning and Packaging for other end connections are available as an option.

TESTING

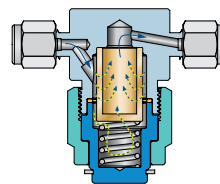
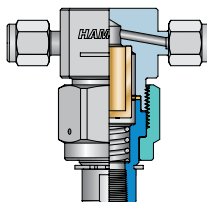
The H-600 and H-600R series designs have been tested for Proof and Burst. Each HAM-LET filter is Nitrogen tested for leakage at 1000 psi.

Process Filter Elements

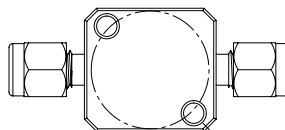
For Inline and T-Type Filters

PGC: 243	Element Pore Size (µm)	Price
H-600-SS-L-1/4-2-FE	2	£4.94
H-600-SS-L-1/4-7-FE	7	£4.94
H-600-SS-L-1/4-15-FE	15	£4.94
H-600-SS-L-1/4-60-FE	60	£4.94
H-600-SS-L-1/4-90-FE	90	£4.94

H-600R T-TYPE



H-600R SERIES BY-PASS/PURGE



2 mounting holes
M5 X0.8 threads
7mm (0.275") deep

H-600R SERIES

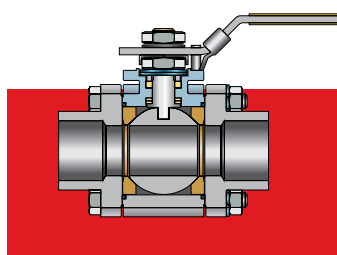
The H-600R Series is a T-type filtration device, which will protect system components from fluid particles and contaminants.

The H-600R provides easy on-line maintenance without disassembling it from the system.

H-600R FEATURES

- Bar Stock 316 Stainless Steel or Brass Construction
- On-line Maintenance
- High-Pressure Characteristics (6000 psi in 316 Stainless Steel and 2000 psi in brass)
- HAM-LET Let-Lok® Ends, Male & Female NPT, and HTC® Face Seal
Replaceable sintered filtration elements are available in 0.5, 2, 7, 15, 40, 60, 90, µm.
- Replaceable strainer filtration elements are available in 140, 230, 440 µm

H-500 Series 3-Piece Stainless Steel Ball Valves



Quality
you can trust.



Maximum Working Temperature:
+232°C



Maximum Working Pressure:
204 bar (3000 psi)

H-500 SERIES

The H-500 Series is a moderate-pressure instrumentation ball valve for general service and instrumentation panels. The valves offer large ports for high flow, tight shutoff, long-life service and low operating torque.

The H-500 Series can be used for bi-directional flow, is rated to a maximum 204 bar (3000 psi) and performs on/off service.

H-500 FEATURES

3-piece heavy-duty ball valves with:

- Precision investment cast body in CF8M stainless steel
- Precision investment cast end caps in CF3M stainless steel
- Blow-out proof stem with Belleville washer design for long life stem sealing
- Manual operation with integral locking device
- Flow coefficient (Cv) from 1.2 to 24.0

H-500S is available with TFM1600 seat material as standard. Please contact the Sales Team for further details.

H-500 Series Moderate Pressure Ball Valve



- LET-LOK® ended
- PTFE seat
- Three-piece compact ball valve

PGC: 240	OD (")	Price
H-500-SS-L-1/4	1/4	£85.07
H-500-SS-L-3/8	3/8	£93.93
H-500-SS-L-1/2	1/2	£94.52
H-500-SS-L-3/4	3/4	£119.73
H-500-SS-L-1	1	£178.96

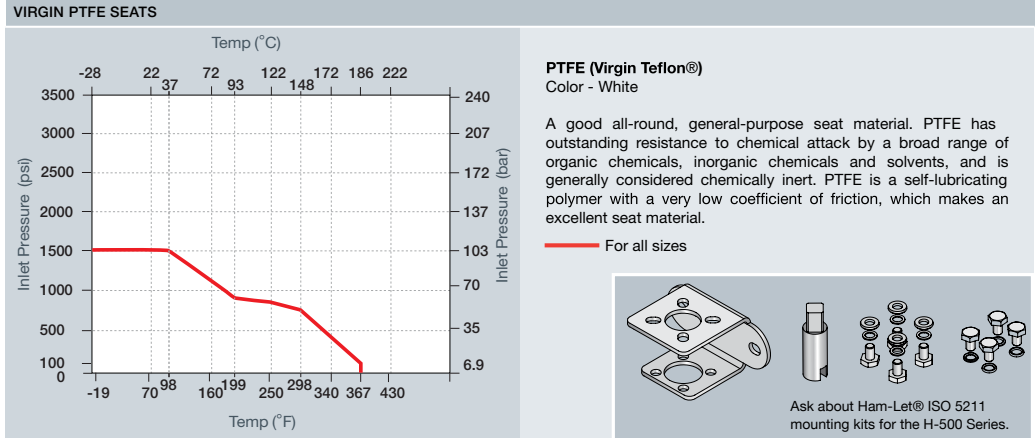
H-510 Series Moderate Pressure Ball Valve



- PTFE seat
- Three-piece compact ball valve

PGC: 240	NPT	Price
H-510-SS-N-1/4	1/4	£76.58
H-510-SS-N-3/8	3/8	£84.55
H-510-SS-N-1/2	1/2	£85.07
H-510-SS-N-3/4	3/4	£107.76
H-510-SS-N-1	1	£161.07

PRESSURE TEMPERATURE RATING



ADDITIONAL CONFIGURATIONS

H-510 Tube Socket Weld



H-510 Pipe Socket Weld



H-580 Pipe Butt Weld



H-580 Extended & Short Tube Butt Weld



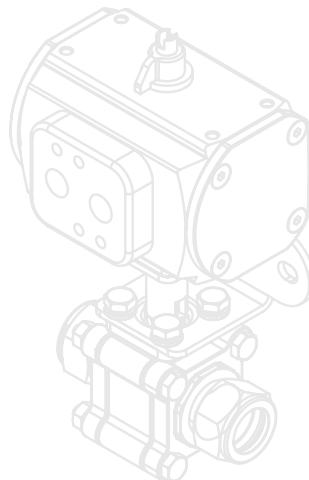
H-500 Oval Handle



HAM-LET PNEUMATIC ACTUATORS



Small yet **Powerful.**



ACTUATED H-500 FEATURES

- 90° actuation for 2-way valves
- Actuators comply with industry standards for interface with ISO 5211, NAMUR and VDI/VDE 3845
- Actuated valves are available factory assembled or separately, actuator and mounting kits
- Limit switches, proximity sensors, position indicators, pilot valves and other accessories are available upon request

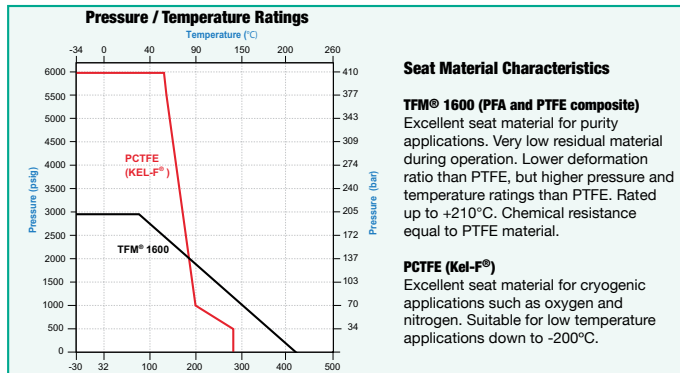
Standard Temperature Range:
-32°C to +90°C

Optional: High temperature, low temperature

High Performance Instrumentation Ball Valves

H-6800 SERIES

- Bi-directional flow
- Straight through flow path with minimal pressure drop
- Encapsulated seats for long life
- Low operating torque
- Handle indicates On / Off position
- Adjustable packing
- Double acting and spring return actuated



Straight Port Ball Valves

Straight Port Ball Valve

LET-LOK® ended
3000 psi



PGC: 240	OD	Price
H-6800-SS-L-1/4-PSS	1/4"	£85.48
H-6800-SS-L-3/8-PSS	3/8"	£97.51
H-6800-SS-L-1/2-PSS	1/2"	£142.41
H-6800-SS-L-6-PSS	6 mm	£85.48
H-6800-SS-L-10-PSS	10 mm	£97.51
H-6800-SS-L-12-PSS	12 mm	£142.41

Straight Port Ball Valve

LET-LOK® ended
6000 psi



PGC: 240	OD	Price
H-6800-SS-L-1/4-CSS	1/4"	£90.35
H-6800-SS-L-3/8-CSS	3/8"	£116.51
H-6800-SS-L-1/2-CSS	1/2"	£196.52
H-6800-SS-L-6-CSS	6 mm	£90.35
H-6800-SS-L-10-CSS	10 mm	£128.17
H-6800-SS-L-12-CSS	12 mm	£196.52

Temperature Range:
-26°C to +204°C



Working Pressure:
206 bar (3000 psi);
413 bar (6000 psi)



Straight Port Ball Valve

Female Thread NPT
3000 psi



PGC: 240	NPT	Price
H-6810-SS-N-1/4-PSS	1/4	£82.33
H-6810-SS-N-3/8-PSS	3/8	£105.95
H-6810-SS-N-1/2-PSS	1/2	£144.90

Straight Port Ball Valve

Female Thread NPT
6000 psi



PGC: 240	NPT	Price
H-6810-SS-N-1/4-CSS	1/4	£86.01
H-6810-SS-N-3/8-CSS	3/8	£121.84
H-6810-SS-N-1/2-CSS	1/2	£199.95

Straight Port Ball Valve

Male Thread NPT
6000 psi



PGC: 240	NPT	Price
H-6880-SS-N-1/4-CSS	1/4	£86.01
H-6880-SS-N-3/8-CSS	3/8	£146.19
H-6880-SS-N-1/2-CSS	1/2	£203.06

Angle Port Ball Valves

Angle Port Ball Valve

LET-LOK® ended
3000 psi



PGC: 240	OD	Price
H-6800-SS-L-1/4-PSA	1/4"	£75.62
H-6800-SS-L-3/8-PSA	3/8"	£107.89
H-6800-SS-L-1/2-PSA	1/2"	£161.12
H-6800-SS-L-6-PSA	6 mm	£75.62
H-6800-SS-L-10-PSA	10 mm	£110.63
H-6800-SS-L-12-PSA	12 mm	£164.48

Angle Port Ball Valve

LET-LOK® ended
6000 psi



PGC: 240	OD	Price
H-6800-SS-L-1/4-CSA	1/4"	£104.35
H-6800-SS-L-3/8-CSA	3/8"	£171.32
H-6800-SS-L-1/2-CSA	1/2"	£222.35
H-6800-SS-L-6-CSA	6 mm	£104.35
H-6800-SS-L-10-CSA	10 mm	£127.21
H-6800-SS-L-12-CSA	12 mm	£245.77

Angle Port Ball Valve

Female Thread NPT
6000 psi



PGC: 240	NPT	Price
H-6810-SS-N-1/4-CSA	1/4	£110.82
H-6810-SS-N-3/8-CSA	3/8	£168.11
H-6810-SS-N-1/2-CSA	1/2	£230.62

Angle Port Ball Valve

Male Thread NPT
3000 psi



PGC: 240	NPT	Price
H-6880-SS-N-1/4-PSA	1/4	£79.24
H-6880-SS-N-3/8-PSA	3/8	£121.82
H-6880-SS-N-1/2-PSA	1/2	POA

3 Port Ball Valve

Female Thread NPT
3000 psi



PGC: 240	NPT	Price
H-6810-SS-N-1/4-PST	1/4	£80.32
H-6810-SS-N-3/8-PST	3/8	£132.43
H-6810-SS-N-1/2-PST	1/2	£152.53

Angle Port Ball Valve

Male Thread NPT
6000 psi



PGC: 240	NPT	Price
H-6880-SS-N-1/4-CSA	1/4	£109.32
H-6880-SS-N-3/8-CSA	3/8	£168.11
H-6880-SS-N-1/2-CSA	1/2	POA

3 Port Ball Valve

Female Thread NPT
6000 psi



PGC: 240	NPT	Price
H-6810-SS-N-1/4-CST	1/4	£110.84
H-6810-SS-N-3/8-CST	3/8	£149.34
H-6810-SS-N-1/2-CST	1/2	£210.49



PATENT PENDING
Integral Safety
LockOut-TagOut Device

ISLT - Locking Device AI6061 with anodised handle (stainless steel internal components).



The integral locking mechanism enables safe and easy-to-use solutions for valve position locking and tagging. The design prevents undesirable valve position changes, even if no locking equipment is used. Available for 2-way straight and angle pattern in locked-open and locked-closed positions. For 3-way pattern valves, the ISLT handle allows locking in left and right positions.

H-6800 Actuators

The H-6800 Series offers quarter-turn rack-and-pinion pneumatic actuators. The actuators are compact, lightweight, easy to mount, high cycle, and can be operated with standard, shop air pressure as Double Acting or Spring Return types. H-6800 actuators are compliant with the ISO 5211 Mounting Standard.

3 Port Ball Valves

3 Port Ball Valve

LET-LOK® ended
3000 psi



PGC: 240	OD	Price
H-6800-SS-L-1/4-PST	1/4"	£82.31
H-6800-SS-L-3/8-PST	3/8"	£116.09
H-6800-SS-L-1/2-PST	1/2"	£186.08
H-6800-SS-L-6-PST	6 mm	£82.31
H-6800-SS-L-10-PST	10 mm	£118.82
H-6800-SS-L-12-PST	12 mm	£186.08

3 Port Ball Valve

Male Thread NPT
6000 psi



PGC: 240	NPT	Price
H-6880-SS-N-1/4-CST	1/4	£107.50
H-6880-SS-N-3/8-CST	3/8	£182.74
H-6880-SS-N-1/2-CST	1/2	POA

H-6800 Handles & ISLT Locking Devices

H-6800 Series ball valves are available with a range of coloured handles for use in manual operation.



Black nylon handle with brass insert is standard.



Single-Mounted Actuator



Dual-Mounted Actuator

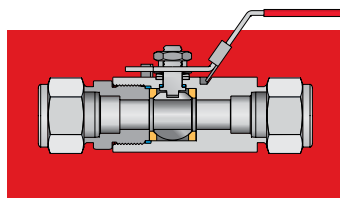
3 Port Ball Valve

LET-LOK® ended
6000 psi



PGC: 240	OD	Price
H-6800-SS-L-1/4-CST	1/4"	£113.57
H-6800-SS-L-3/8-CST	3/8"	£149.78
H-6800-SS-L-1/2-CST	1/2"	£256.79
H-6800-SS-L-6-CST	6 mm	£113.57
H-6800-SS-L-10-CST	10 mm	£168.54
H-6800-SS-L-12-CST	12 mm	£256.78

H-700 Series 2-Piece Ball Valves



Quality
you can trust.



Maximum Working Temperature:
+204°C



Maximum Working Pressure:
135 bar (2000 psi)

H-700 SERIES

The H-700 Series is a moderate-pressure ball valve for general service. These valves are compact in size and structure. They have relatively large ports for high flow, tight shutoff, long-life service, and low operating torque.

The H-700 Series can be used for bi-directional flow in fully open or fully closed position only. The series is rated to a maximum 2000 psi (135 bar) and performs on/off service.

H-700 FEATURES

2-piece general duty ball valves with:

- Blow-out proof stem
- Stainless steel construction
- Locking handle in on and off positions
- Compliance with OSHA LOTO Standard 29 CFR Part 1910.147- Control of Hazardous Energy
- Flow coefficient (Cv) 1.25 to 17.35
- Size range: 1/4" to 1" or 6 mm to 25 mm

Lubricant: *silicon-based grease for oxygen applications, according to HAM-LET Procedure 8055. Please contact the Sales Team for further details.*

H-700 Series Ball Valve

With Locking Device



- LET-LOK[®] ended
- TFM[®] 1600 seat
- Padlock not included

PGC: 240	OD	Price
H-700-SS-L-1/4-T-LD	1/4"	£39.23
H-700-SS-L-3/8-T-LD	3/8"	£51.58
H-700-SS-L-1/2-T-LD	1/2"	£49.42
H-700-SS-L-6-T-LD	6 mm	£41.61
H-700-SS-L-10-T-LD	10 mm	£49.01
H-700-SS-L-12-T-LD	12 mm	£51.88

H-710 Series Ball Valve

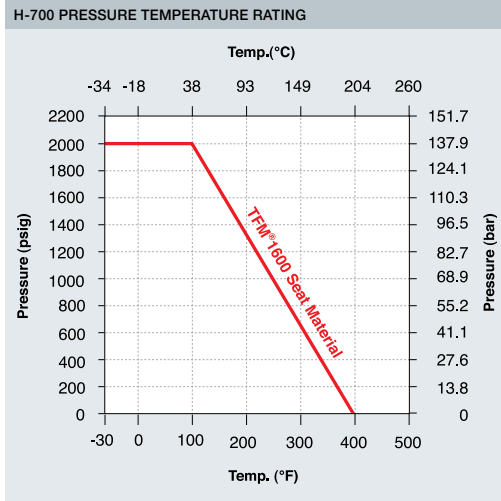
Female Thread NPT



- LET-LOK[®] ended
- Locking device

PGC: 240	NPT	Price
H-710-SS-N-1/4-R-LD	1/4	£25.10
H-710-SS-N-3/8-R-LD	3/8	£34.73
H-710-SS-N-1/2-R-LD	1/2	£30.67

PRESSURE TEMPERATURE RATING



CLEANING & PACKAGING

H-700 ball valve is treated with Ham-Let® Passivation Cleaning and Packaging (Procedure 8075). Ham-Let® H-700 ball valves with face seal end connections are treated with Oxygen Cleaning and Packaging (Procedure 8055).

TESTING

The H-700 Series ball valve designs have been tested for proof and burst. Every H-700 ball valve is factory tested with nitrogen at 1000 psi (69 bar). Maximum allowable leakage across seat is 0.1 std cc/min.

SEAT MATERIAL CHARACTERISTICS

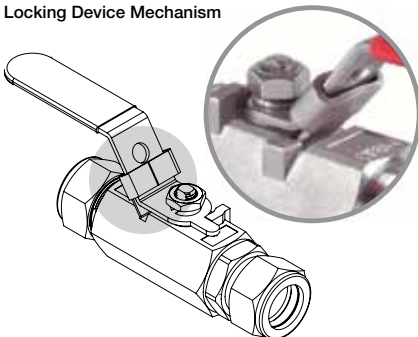
TFM@1600 - (PFA and PTFE composite) - Color: Bright White.

Excellent seat material for purity applications, very low residual material during operation. It has lower deformation ratio than PTFE, but higher pressure and temperature rating. Chemical resistance is equal to PTFE material.

PACKING ADJUSTMENT

Due to the varied service applications of the valve, packing adjustment may be occasionally necessary. Packing is factory adjusted to 1000 psi service. Initial packing adjustment is recommended after installation and prior to start-up. Please find more information on H-700 under installation instructions. Ham-Let® ball valves are designed to be operated in the fully closed or fully open position.

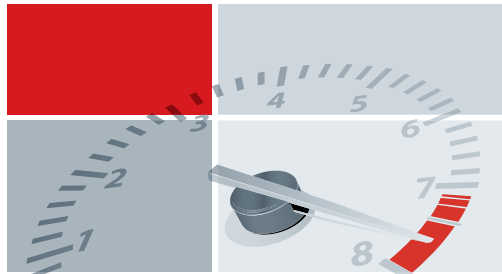
Locking Device Mechanism




MBV SERIES see page **29**

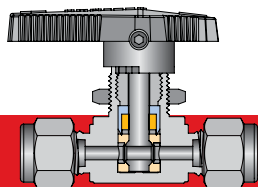
QCLOK®

**INSTRUMENTATION
QUICK CONNECTORS**



see page **43**

H-800 Series 1-Piece Ball Valves



Quality
you can trust.



Maximum Working Temperature:
+149°C



Maximum Working Pressure:
206 bar (3000 psi)

H-800 SERIES

The H-800 one-piece compact ball valve series is designed for general service and instrumentation panels. Valve design enables low and high working pressure and accommodates a wide temperature range with high life cycle. One-piece body design reduces possibility of shell leakage. The valves offer tight shut-off, long-life service and low operating torque.

H-800 ball valves are designed for fully open or fully closed operation only. After a period of non-operation, the braking torque of the valve may rise.

H-800 FEATURES

1-piece compact ball valves with:

- One-piece construction and single unit ball stem
- On/off service
- No dead volume at flow path
- Panel mount design and colour-coded handles
- Manual and pneumatic actuation

H-800 Series Ball Valve



- LET-LOK® ended
- One-piece compact ball valve

PGC: 240	OD	Price
H-800-SS-L-6	6 mm	£64.50
H-800-SS-L-1/8	1/8"	£62.29
H-800-SS-L-1/4	1/4"	£64.50

H-810 Series Ball Valve

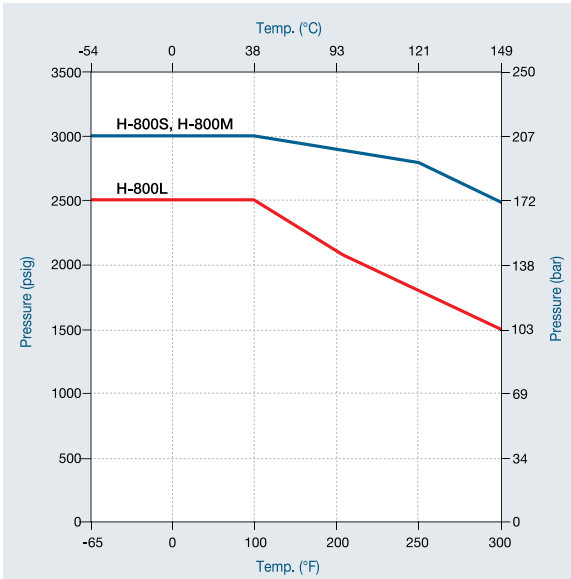


- NPT ended
- One-piece compact ball valve

PGC: 240	NPT	Price
H-810-SS-N-1/4	1/4"	£75.27

PRESSURE TEMPERATURE RATING

H-800 PRESSURE TEMPERATURE RATING



H-800 COLORED AND METAL HANDLES



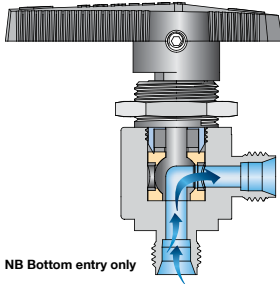
MANUAL OPERATION

- S** - Black Handle*
- B** - Blue Handle
- R** - Red Handle
- G** - Green Handle
- Y** - Yellow Handle
- M** - Metal Handle

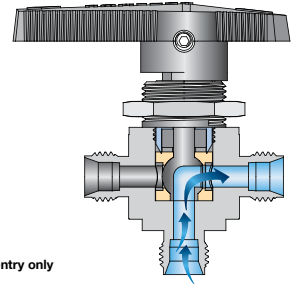
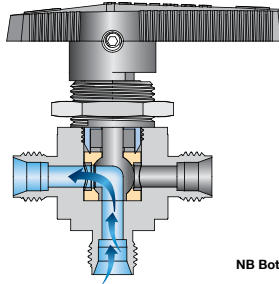
* Black Nylon handle is standard

FLOW DIRECTION

H-800 Angle-Type



H-800 T-Type



HAM-LET PNEUMATIC ACTUATORS



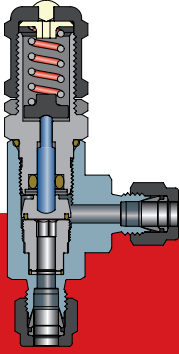
ACTUATED H-800 FEATURES

- 90° actuation for 2-way valves (straight and angle)
- 180° actuation for T-type valves
- Actuators comply with industry standards for interface with ISO 5211, NAMUR and VDI/VDE 3845
- Actuated valves are available factory assembled or separately, actuator and mounting kits
- Limit switches, proximity sensors, position indicators, pilot valves and other accessories are available upon request

Standard Temperature Range:
-32°C to +90°C

Optional: High temperature, low temperature

H-900 Relief Valves



*Quality
you can trust.*



GENERAL

- H-900 is available as CE/PED products
- 316 steel construction
- Service 10-225 psi
- One spring for all set pressure range
- Available in all pipe threads and LET-LOK® connectors
- Sizes: 1/4" or 6 mm

FEATURES

The H-900 series is a relief valve for low pressure service. The valve is normally closed. It will open when system pressure reaches the set level. It will re-close when the system pressure falls below the set level.

APPLICATIONS

H-900 relief valves gradually open when pressure increases. As such, they are not certified to ASME due to not having capacity rating at a given pressure rise (accumulation).

H-900 Series Relief Valve



Temperature Range:
-18°C to +121°C



Working Pressure:
1500 psi to 2250 psi

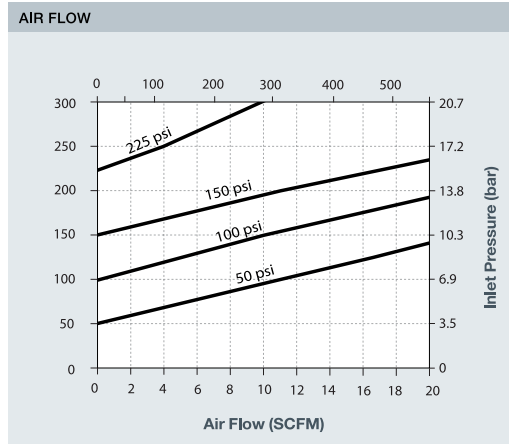
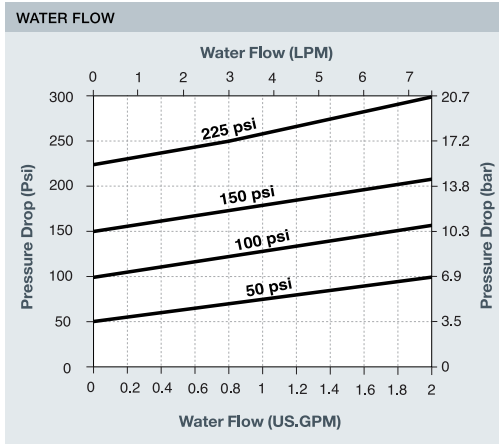


- LET-LOK® and NPT ended

PGC: 240	Inlet	Outlet	Price
H-900-HP-SS-L-1/4D	1/4" OD	1/4" OD	£103.86
H-900-HP-SS-L-6D	6 mm OD	6 mm OD	£103.86
H-995-HP-SS-NL-1/4D	1/4 NPT Male	1/4" OD	£138.34
H-985-HP-SS-N-1/4D	1/4 NPT Male	1/4 NPT Female	£123.47

FLOW DATA AT 20°C

Orifice in fully open mode is 4.8 mm.
Spring 10 - 225 psig



OPERATION

H-900 relief valves open when system pressure gets to the set pressure and close when system pressure drops below the set pressure.

Warnings In Valves that were not actuated for some time may contain pressure higher than the set pressure.

System designer and users shall determine what system applications require using relief valves to meet specific safety codes and which valves conform to such codes.

SETTING AND RESEALING PRESSURE

- Upstream set pressure is the first indicator of flow process. Every pressure relief after the first indication is repeatable within a deviation of 5% at room temperature
- Blocked upstream set pressure is the first indicator of a stopped flow process and is always lower than the set pressure
- Calculation of set pressure valve design demands back pressure consideration as the system back pressure increases the set pressure

To balance the system the back pressure must be multiplied by 0.8 and the result shall be subtracted from the required set pressure.

TESTING

The HAM-LET H-900 Relief Valve designs have been tested for Proof and Burst. Every H-900 Relief Valve is factory tested for proper set and resealing performance.

Spring Kits



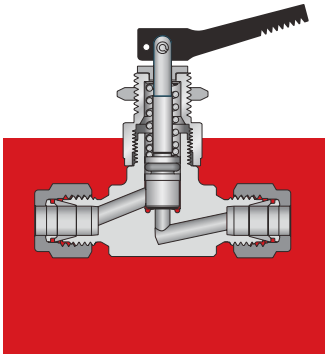
Working Pressure Range:
50 psi up to 6000 psi
(see table below)



- For H-900 HP Series relief valves
- Includes spring and label

PGC: 240	Working Pressure (psi)	Colour	Letter	Price
Z-900-HP-SPK-1/4-A	50 - 350	White	A	£10.92
Z-900-HP-SPK-1/4-B	350 - 750	Blue	B	£10.92
Z-900-HP-SPK-1/4-C	750 - 1500	Gold	C	£10.92
Z-900-HP-SPK-1/4-D	1500 - 2250	Turquoise	D	£10.92
Z-900-HP-SPK-1/4-E	2250 - 3000	Green	E	£10.92
Z-900-HP-SPK-1/4-F	3000 - 4000	Red	F	£10.92
Z-900-HP-SPK-1/4-G	4000 - 5000	Silver	G	£10.92
Z-900-HP-SPK-1/4-H	5000 - 6000	Black	H	£10.92

H-1200 Toggle Valves



*Quality
you can trust.*



H-1200 FEATURES

- Compact Rugged Design
- Stainless Steel and Brass Construction
- Panel Mountable
- Quick On/Off Service
- Straight and Angle Patterns available
- Sizes: 1/8" & 1/4"
- LET-LOK®, Male and Female NPT ends
- MAWP 300 psig at 20°C (70°F)
- Temperature rating: -20°F-200°F (-28°C-93°C)
- Flow coefficient (Cv) 0.11 to 0.2
- Colored Nylon Handles

H-1200 SERIES

The H-1200 Series standard toggle valve is a compact design for normally closed and quick On / Off service. Moving the handle 90 degrees upwards opens the valve to full flow and stops it firmly in the open position. Shifting the handle position downwards shuts off the valve by spring return. The PTFE soft seat at the tip of the stem provides a positive repetitive seal.

TESTING

All H-1200 Series designs have been tested and approved for Burst and Proof. All valves are factory tested with Nitrogen pressure at 300 psig (20.7 bar) for shell, stem and across-the-seat leak detection. Each valve is tested for leak tight performance.

CLEANING & PACKAGING

HAM-LET H-1200 valves are treated with Passivation Cleaning and Packaging (Procedure 8075). Other treatments are available upon request.

H-1200 Series Toggle Valve

Straight LET-LOK®



Temperature Range:
-28°C to +93°C



Working Pressure:
Max. 20 bar
(300 psi) at 20°C

- LET-LOK® ended
- 316 stainless steel and brass construction
- Panel mountable

PGC: 240	OD (")	Price
H-1200-SS-L-1/8	1/8	£58.60
H-1200-SS-L-1/4	1/4	£50.75

Instrumentation Quick Connectors

QCLOK®

QC-LOK® FEATURES

- Ham-Let gaugeable high quality Let-Lok® ends
- Valved and Non-Valved stems available
- Interchangeable and intermixable with major manufacturers' Instrumentation Quick Connectors
- Viton® O-Rings as standard, other O-rings are available per request
- Smooth and safe connection between the
- Quick-Lok Connector valves is reached by a simple pushing operation due to a smart heavy duty locking mechanism
- The QC-LOK® Instrumentation Quick Connectors' validation tests are based on ANSI/B93.51M – 1980



QC-LOK® Body



Working Pressure:
3000 psi (206 bar)



PGC: 237	OD (")	Price
QC4-SS-B-L-1/4	1/4	£29.14
QC6-SS-B-L-3/8	3/8	£33.39
QC8-SS-B-L-1/2	1/2	£52.56

QC-LOK® Single-End Shut-Off Stem



Working Pressure:
3000 psi (206 bar)



- Single-End shut-off stems have no valve and remain open when uncoupled

PGC: 237	OD (")	Price
QC4-SS-S-L-1/4	1/4	£14.52
QC6-SS-S-L-3/8	3/8	£20.29
QC8-SS-S-L-1/2	1/2	£26.12

QC-LOK® Double-End Shut-Off Stem



Working Pressure:
3000 psi (206 bar)

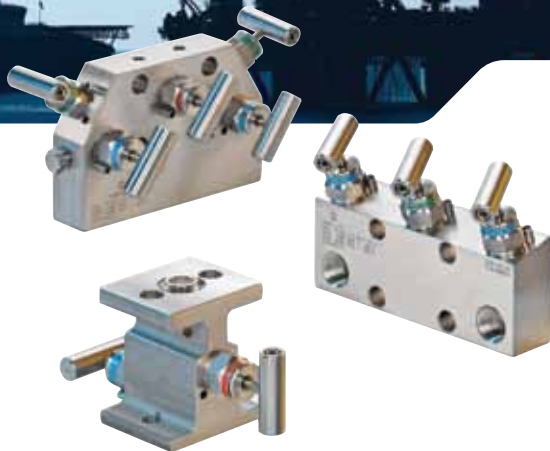


- Double-End shut-off stems incorporate a valve and shut off when uncoupled

PGC: 237	OD (")	Price
QC4-SS-D-L-1/4	1/4	£23.03
QC6-SS-D-L-3/8	3/8	£27.88
QC8-SS-D-L-1/2	1/2	£40.66

ASTAVA
HAM-LET  **ASTAVA**
LINE OF MANIFOLDS

2|3|5
WAY MANIFOLD



FEATURES

- All 316 stainless steel construction with packing or O-ring concept
- Direct mount flange design per IEC 61518-A
- NACE MR-01-075 as standard
- Working pressure range up to 10,000 psi as an option
- Temperature range up to 550°C with Grafoil® packing
- Blowout-proof stem
- Safety back seat stem-tip
- Safety stop pin
- Stem seals below stem threads
- Stem material 316 Ti with chromium carbide diffusion coating
- Choice of O-ring materials
- Full traceability of all construction materials

GENERAL

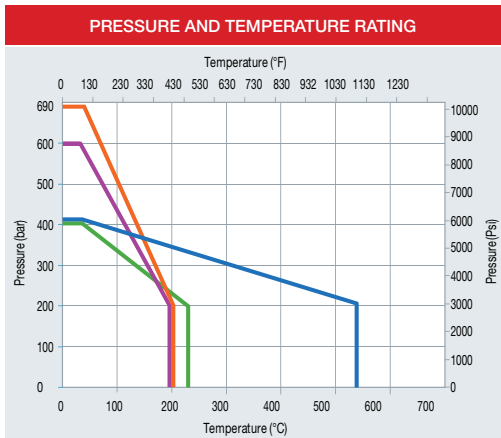
The Ham-Let® ASTAVA Line of Instrument Manifolds consists of a full range of 2, 3 and 5-way instrument manifolds, which are fully compatible with the requirements of the Oil, Gas and Petro-chemical industries, and meet the requirements of most pressure, differential level and flow applications.

TESTING

All Ham-Let® instrument manifolds are factory tested with Nitrogen at 800 psi (55 bar) based on MSS-99. Seats have a maximum allowable leak rate of 0.1 std cm³/min. Hydrostatic and Helium leak test is available upon request.

CLEANING

All Ham-Let® instrument manifolds are cleaned in accordance with ASTAVA cleaning procedure WIQ-016 Oxygen clean is available in accordance with ASTM G-93.



Ceramic Stem Ball Tip AL203:

Superior hardness prevents deformation of the sealing tip and wear, significantly increasing the life time of the product for isolation purposes.

Packing Material	Grafoil®	Down to -50°C (-58°F)
	PTFE	Down to -50°C (-58°F)
O-Ring Material	Viton®	Down to -20°C (-4°F)
	NBR	Down to -34°C (-29°F)
	Perfluor	Down to -40°C (-40°F)
	EPDM	Down to -45°C (-49°F)
10,000 psi (690 bar)		Available upon request

The Valve Bonnets have colour-coded ring labels for service identification



Red: Vent Valves
Blue: Isolate Valves
Green: Equalize Valves

Anti-Tamper



HANDLE OPTIONS

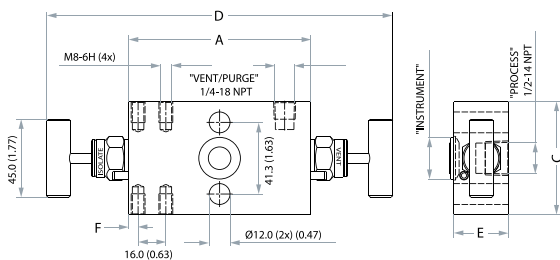
The standard handle of the Ham-Let® ASTAVA Line of Instrument Manifolds is a stainless steel T-bar. For high pressure applications of 10,000 psi (690 bar) an extended T-bar or hand wheel can be applied. Anti-tamper bonnet and key lock options assure that the manifold is operated by qualified personnel only.

STANDARD CONFIGURATION DIMENSIONS

2 WAY DIRECT MOUNT

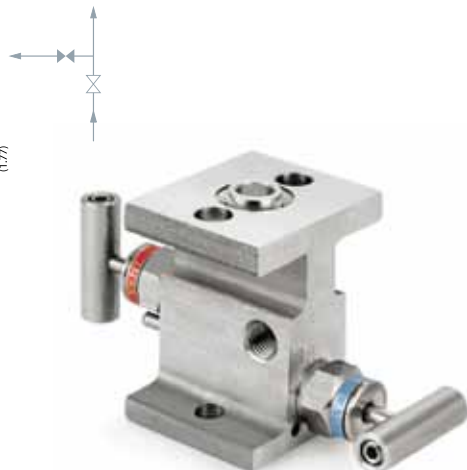
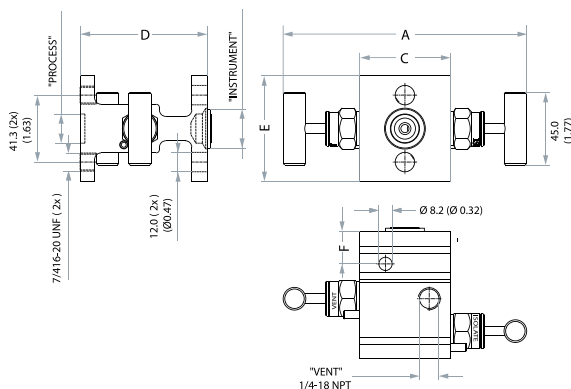
Instrument Mount Type	End Connection			Part No.	Dimensions											
	Process	Instrument	Vent / Bleed		A	B	C	D	E	F						
					mm	in	mm	in	mm	in	mm	in	mm	in		
Direct Mount	1/2" Female NPT	*Flange	1/4" Female NPT	M-20S-15-8NF-SS-V-T	85	3.35	x	x	65.0	2.56	182	7.17	32.0	1.26	5.0	0.20
	*Flange	*Flange	1/4" Female NPT	M-20H-90-FF-SS-V-T	153	6.02	x	x	56.0	2.20	78	3.07	65.0	2.56	20.0	0.79

M-20S-15-8NF-SS-V-T



PGC: 241	Price
M-20S-15-8NF-SS-V-T	£217.64

M-20H-90-FF-SS-V-T

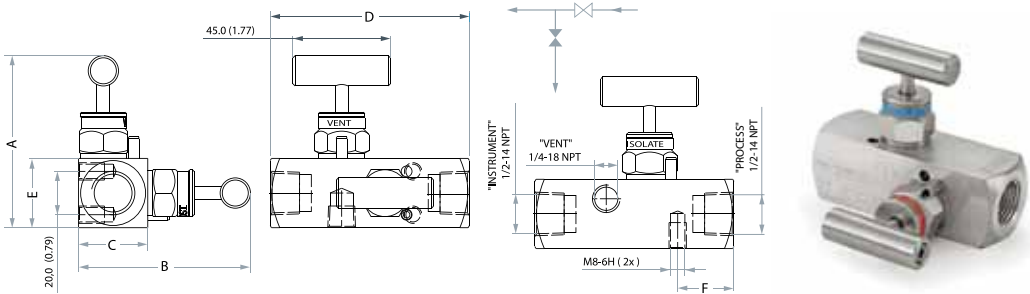


PGC: 241	Price
M-20H-90-FF-SS-V-T	£186.94

STANDARD CONFIGURATION DIMENSIONS
2 WAY REMOTE MOUNT

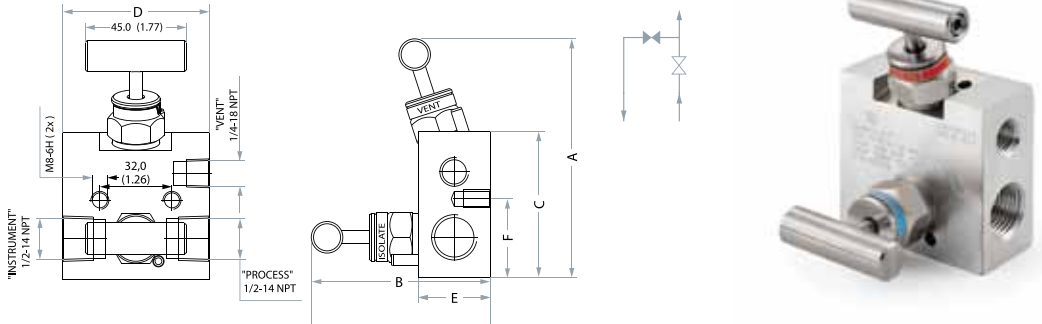
Instrument Mount Type	End Connection			Part No.	Dimensions											
	Process	Instrument	Vent / Bleed		A	B	C	D	E	F						
					mm	in	mm	in	mm	in	mm	in	mm	in		
Remote Mount	1/2" Female NPT	1/2" Female NPT	1/4" female NPT	M-20M-10-8N-SS-V-T	79	3.11	79.0	3.11	32.0	1.26	92.0	3.62	32	1.26	26	1.02
	1/2" Female NPT	1/2" Female NPT	1/4" female NPT	M-21A-10-8N-SS-V-T	107	4.21	79.4	3.13	65.0	2.56	65.0	2.56	32	1.26	35	1.38
	1/2" Female NPT	1/2" Female NPT	1/4" female NPT	M-21S-10-8N-SS-V-T	156	6.14	-	-	65.0	2.56	59.0	2.32	32	1.26	18	0.71

M-20M-10-8N-SS-V-T



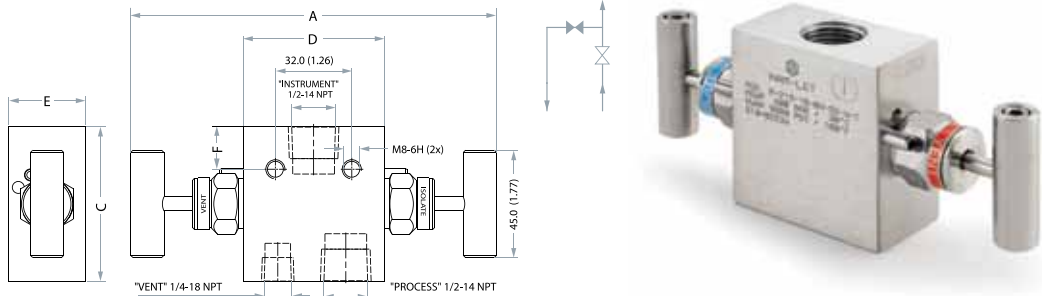
PGC: 241	Price
M-20M-10-8N-SS-V-T	£143.64

M-21A-10-8N-SS-V-T



PGC: 241	Price
M-21A-10-8N-SS-V-T	£146.12

M-21S-10-8N-SS-V-T



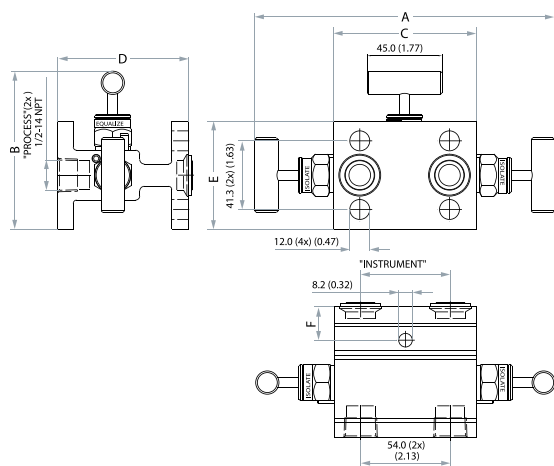
PGC: 241	Price
M-21S-10-8N-SS-V-T	£160.20

STANDARD CONFIGURATION DIMENSIONS
3 WAY DIRECT MOUNT

Instrument Mount Type	End Connection			Part No.	Dimensions											
	Process	Instrument	Vent / Bleed		A		B		C		D					
					mm	in	mm	in	mm	in	mm	in	mm	in		
Direct mount	1/2" Female NPT	*Flange	-	M-30H-15-8NF-SS-V-T	181.0	7.13	95.0	3.74	86.0	3.39	79.0	3.11	66.0	2.60	20.0	0.79
	1/2" Female NPT	*Flange	-	M-30I-15-8NF-SS-V-T	161.0	6.34	107.0	4.21	65.0	2.56	150.0	5.91	32.0	1.26	16.0	0.63

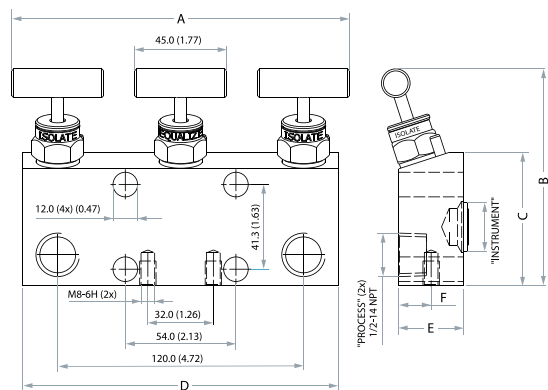
* Flange Standard per IEC 61518-A

M-30H-15-8NF-SS-V-T



PGC: 241	Price
M-30H-15-8NF-SS-V-T	£310.17

M-30I-15-8NF-SS-V-T

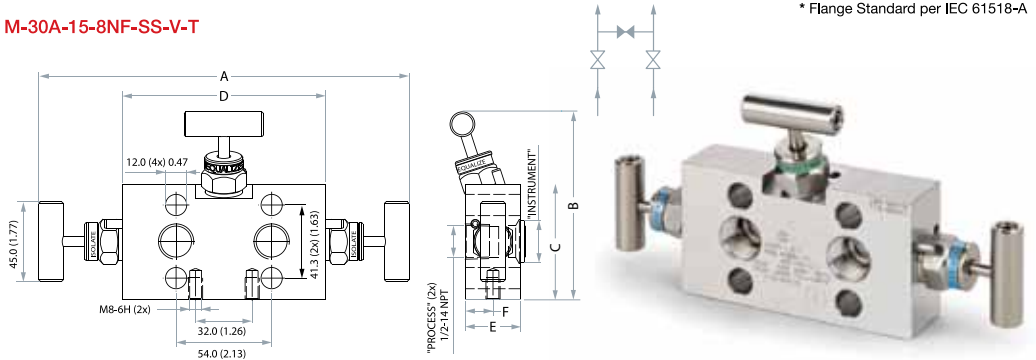


PGC: 241	Price
M-30I-15-8NF-SS-V-T	£289.54

STANDARD CONFIGURATION DIMENSIONS
3 WAY DIRECT MOUNT

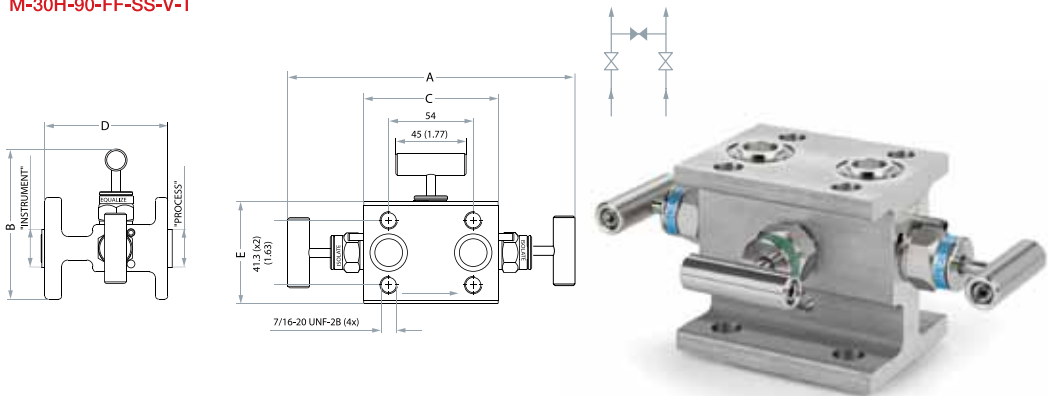
Instrument Mount Type	End Connection			Part No.	Dimensions											
	Process	Instrument	Vent / Bleed		A	B	C	D	E	F						
					mm	in	mm	in	mm	in	mm	in				
Direct mount	1/2" Female NPT	*Flange	-	M-30A-15-8NF-SS-V-T	210.0	8.27	106.0	4.17	65.0	2.56	115.0	4.53	32.0	1.26	16.0	0.63
	*Flange	*Flange	-	M-30H-90-FF-SS-V-T	181.0	7.13	95.0	3.74	86.0	3.39	79.0	3.11	66.0	2.60	-	-

M-30A-15-8NF-SS-V-T



PGC: 241	Price
M-30A-15-8NF-SS-V-T	£306.87

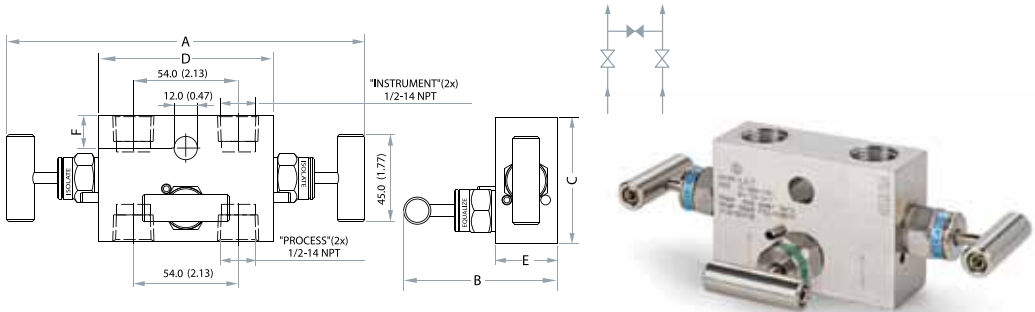
M-30H-90-FF-SS-V-T



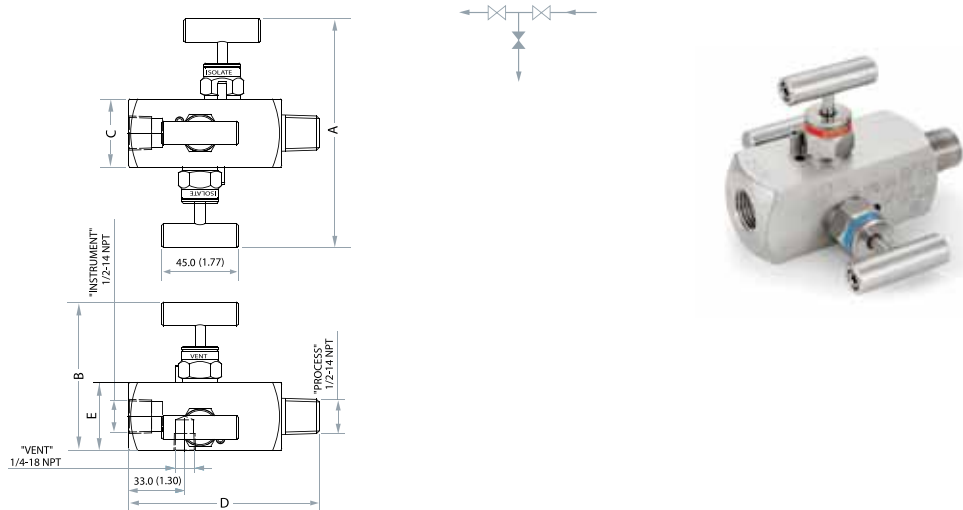
PGC: 241	Price
M-30H-90-FF-SS-V-T	£309.05

STANDARD CONFIGURATION DIMENSIONS
3 WAY REMOTE MOUNT

Instrument Mount Type	End Connection			Part No.	Dimensions											
	Process	Instrument	Vent / Bleed		A		B		C		D		E		F	
					mm	in	mm	in	mm	in	mm	in	mm	in	mm	in
Remote mount	1/2" Female NPT	1/2" Female NPT	-	M30S-10-8N-SS-V-T	185.0	7.28	79.0	3.11	65.0	2.56	90.0	3.54	32.0	1.26	17.0	0.67
	1/2" Male NPT	1/2" Female NPT	1/4" Female NPT	M32M-85-8N-SS-V-T	135.0	5.31	87.0	3.43	40.0	1.57	112.0	4.41	40.0	1.57	-	-

M-30S-10-8N-SS-V-T


PGC: 241	Price
M-30S-10-8N-SS-V-T	£239.95

M-32M-85-8N-SS-V-T


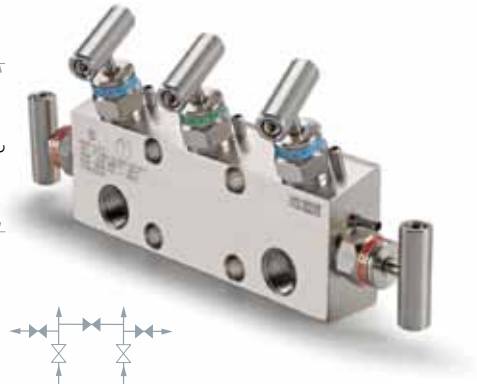
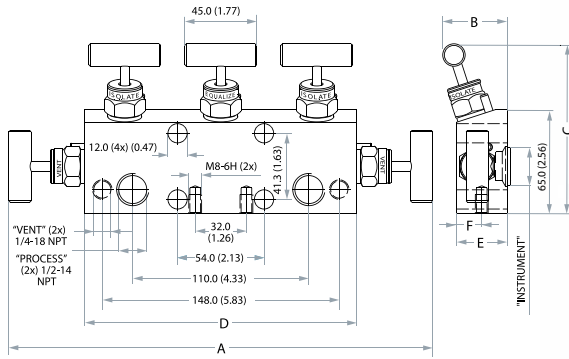
PGC: 241	Price
M-32M-85-8N-SS-V-T	£1904.54

STANDARD CONFIGURATION DIMENSIONS
5 WAY DIRECT MOUNT

Instrument Mount Type	End Connection			Part No.	Dimensions											
	Process	Instrument	Vent / Bleed		A	B	C	D	E	F						
					mm	in	mm	in	mm	in	mm	in	mm	in		
Direct mount	1/2" Female NPT	*Flange	1/4" Female NPT	M-50A-15-8NF-SS-V-T	265.0	10.43	41.0	1.61	106.0	4.17	170.0	6.69	32.0	1.26	16.0	0.63
	1/2" Female NPT	*Flange	1/4" Female NPT	M-53T-15-8NF-SS-V-T	220.0	8.66	79.0	3.11	122.0	4.80	140.0	5.51	32.0	1.26	16.0	0.63

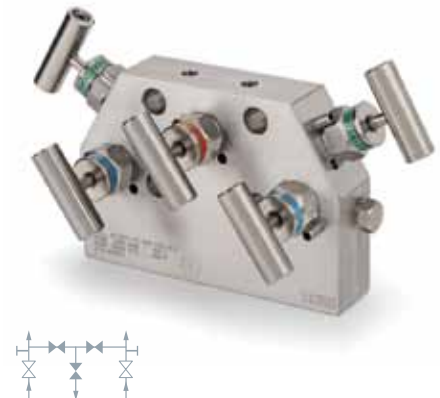
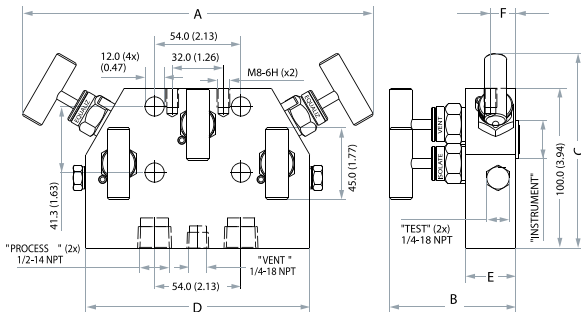
* Flange Standard per IEC 61518-A

M-50A-15-8NF-SS-V-T



PGC: 241	Price
M-50A-15-8NF-SS-V-T	£403.07

M-53T-15-8NF-SS-V-T

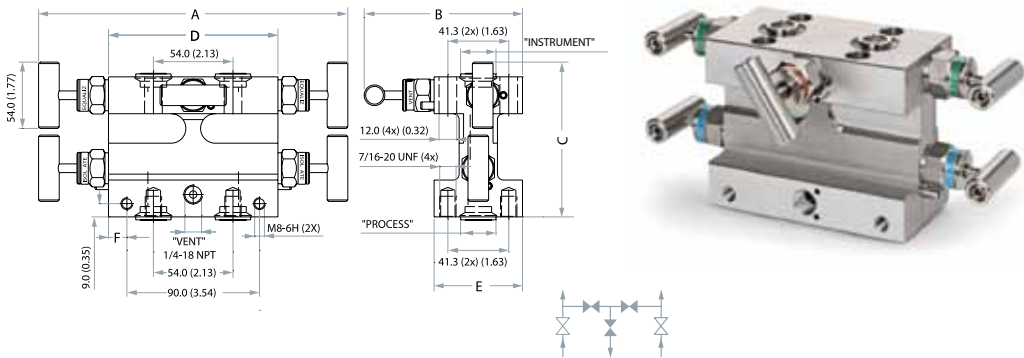


PGC: 241	Price
M-53T-15-8NF-SS-V-T	£431.41

STANDARD CONFIGURATION DIMENSIONS
5 WAY DIRECT MOUNT

Instrument Mount Type	End Connection			Part No.	Dimensions											
	Process	Instrument	Vent / Bleed		A		B		C		D		E		F	
					mm	in	mm	in	mm	in	mm	in	mm	in	mm	in
Direct mount	*Flange	*Flange	1/4" Female NPT	M-54H-90-FF-SS-V-T	210.0	8.27	108.0	4.25	105.0	4.13	115.0	4.53	60.0	2.36	12.5	0.49

* Flange Standard per IEC 61518-A

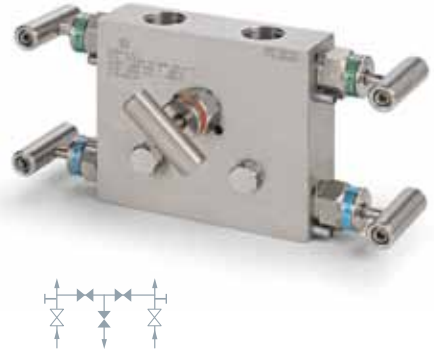
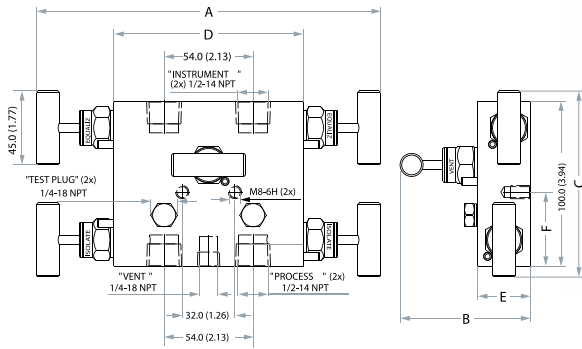
M-54H-90-FF-SS-V-T

PGC: 241	Price
M-54H-90-FF-SS-V-T	£498.80

STANDARD CONFIGURATION DIMENSIONS
5 WAY REMOTE MOUNT

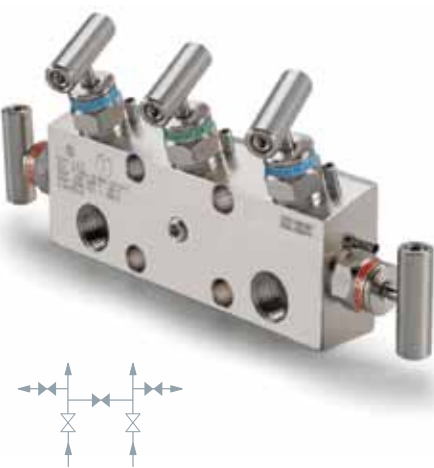
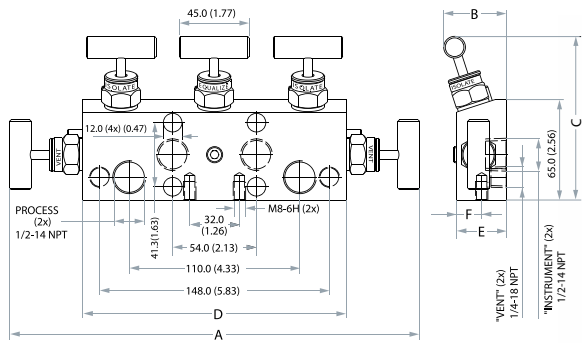
Instrument Mount Type	End Connection			Part No.	Dimensions											
	Process	Instrument	Vent / Bleed		A		B		C		D		E		F	
					mm	in	mm	in	mm	in	mm	in	mm	in	mm	in
Remote mount	1/2" Female NPT	1/2" Female NPT	1/4" Female NPT	M-53S-10-8N-SS-V-T	210.0	8.27	80.0	3.15	113.0	4.45	115.0	4.53	32.0	1.26	45.0	1.77
	1/2" Female NPT	1/2" Female NPT	1/4" Female NPT	M-50A-10-8N-SS-V-T	265.0	10.43	41.0	1.61	106.0	4.17	170.0	6.69	32.0	1.26	16.0	0.63

M-53S-10-8N-SS-V-T



PGC: 241	Price
M-53S-10-8N-SS-V-T	£358.37

M-50A-10-8N-SS-V-T



PGC: 241.	Price
M-50A-10-8N-SS-V-T	£391.20

316 Stainless Steel Precision Instrument Pipe Fittings

The Ham-Let Pipeline range of 316 stainless steel connectors is manufactured for typical applications in chemical and petrochemical processing plants, as well as for use in the oil, gas and power generation industries.

Hexagon Nipples

Hexagon Nipple

Male Thread NPT



PGC: 247	NPT	Price
122H-SS-1/8	1/8	£3.35
122H-SS-1/4	1/4	£4.32
122H-SS-3/8	3/8	£5.87
122H-SS-1/2	1/2	£8.82
122H-SS-3/4	3/4	£12.61
122H-SS-1	1	£22.74

Hexagon Long Nipple

Male Thread NPT



PGC: 247	NPT	Length (")	Price
113H-SS-1/8-2	1/8	2	£5.87
113H-SS-1/8-3	1/8	3	£6.37
113H-SS-1/4-2	1/4	2	£5.97
113H-SS-1/4-3	1/4	3	£7.72
113H-SS-1/4-4	1/4	4	£8.72
113H-SS-3/8-2	3/8	2	£7.94
113H-SS-3/8-3	3/8	3	£10.64
113H-SS-3/8-4	3/8	4	£15.35
113H-SS-1/2-2	1/2	2	£10.73
113H-SS-1/2-3	1/2	3	£16.22
113H-SS-1/2-4	1/2	4	£18.57
113H-SS-3/4-2	3/4	2	£15.42
113H-SS-3/4-3	3/4	3	£19.62
113H-SS-3/4-4	3/4	4	£23.14
113H-SS-1-3	1	3	£44.64
113H-SS-1-4	1	4	£54.77

Reducers & Hexagon Reducers / Couplings

Reducing Nipple

Male Thread NPT



PGC: 247	NPT 1	NPT 2	Price
123H-SS-1/4-1/8	1/4	1/8	£4.39
123H-SS-3/8-1/8	3/8	1/8	£5.97
123H-SS-3/8-1/4	3/8	1/4	£5.87
123H-SS-1/2-1/8	1/2	1/8	£10.08
123H-SS-1/2-1/4	1/2	1/4	£9.10
123H-SS-1/2-3/8	1/2	3/8	£8.88
123H-SS-3/4-1/2	3/4	1/2	£12.71
123H-SS-1-1/2	1	1/2	£22.95
123H-SS-1-3/4	1	3/4	£22.84

Reducing Bush

Male Thread NPT
Female Thread NPT



PGC: 247	NPT 1	NPT 2	Price
110H-SS-1/4-1/8	1/4	1/8	£4.00
110H-SS-3/8-1/8	3/8	1/8	£4.78
110H-SS-3/8-1/4	3/8	1/4	£5.26
110H-SS-1/2-1/8	1/2	1/8	£7.62
110H-SS-1/2-1/4	1/2	1/4	£7.94
110H-SS-1/2-3/8	1/2	3/8	£8.12
110H-SS-3/4-1/4	3/4	1/4	£9.77
110H-SS-3/4-3/8	3/4	3/8	£10.24
110H-SS-3/4-1/2	3/4	1/2	£10.96
110H-SS-1-1/4	1	1/4	£14.74
110H-SS-1-3/8	1	3/8	£15.01
110H-SS-1-1/2	1	1/2	£16.49
110H-SS-1-3/4	1	3/4	£19.01

Hexagon Reducing Coupling

Female Thread NPT



PGC: 247	NPT 1	NPT 2	Price
119H-SS-1/4-1/8	1/4	1/8	£7.62
119H-SS-3/8-1/4	3/8	1/4	£9.64
119H-SS-1/2-1/8	1/2	1/8	£15.01
119H-SS-1/2-1/4	1/2	1/4	£14.85
119H-SS-1/2-3/8	1/2	3/8	£14.52
119H-SS-3/4-1/2	3/4	1/2	£20.21
119H-SS-1-1/2	1	1/2	£35.99
119H-SS-1-3/4	1	3/4	£33.20

Hexagon Coupling

Female Thread NPT



PGC: 247	NPT	Price
103H-SS-1/8	1/8	£5.37
103H-SS-1/4	1/4	£7.07
103H-SS-3/8	3/8	£9.64
103H-SS-1/2	1/2	£14.13
103H-SS-3/4	3/4	£18.14
103H-SS-1	1	£32.60

Adaptors

Adaptor

Male Thread NPT
Female Thread NPT



PGC: 247	NPT 1	NPT 2	Price
120H-SS-1/8-1/8	1/8	1/8	£4.39
120H-SS-1/4-1/8	1/4	1/8	£6.37
120H-SS-1/4-1/4	1/4	1/4	£6.14
120H-SS-3/8-1/8	3/8	1/8	£8.99
120H-SS-3/8-1/4	3/8	1/4	£8.60
120H-SS-3/8-3/8	3/8	3/8	£8.22
120H-SS-1/2-1/8	1/2	1/8	£14.13
120H-SS-1/2-1/4	1/2	1/4	£12.71
120H-SS-1/2-3/8	1/2	3/8	£12.49
120H-SS-1/2-1/2	1/2	1/2	£12.44
120H-SS-1/2-3/4	1/2	3/4	£22.41
120H-SS-3/4-1/4	3/4	1/4	£20.60
120H-SS-3/4-3/8	3/4	3/8	£20.38
120H-SS-3/4-1/2	3/4	1/2	£17.36
120H-SS-3/4-3/4	3/4	3/4	£17.70
120H-SS-1-1/2	1	1/2	£29.64
120H-SS-1-3/4	1	3/4	£25.58
120H-SS-1-1	1	1	£34.80

NPT to BSPT Adaptor

Male Thread NPT
Male Thread BSPT



PGC: 247	BSPT	NPT	Price
122HNR-SS-1/8	1/8	1/8	£3.35
122HNR-SS-1/4	1/4	1/4	£5.62
122HNR-SS-3/8	3/8	3/8	£5.87
122HNR-SS-1/2	1/2	1/2	£11.47
122HNR-SS-3/4	3/4	3/4	£12.61
122HNR-SS-1	1	1	£22.74

Elbow

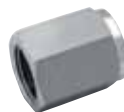
Female Thread NPT



PGC: 247	NPT	Price
100H-SS-1/8	1/8	£11.34
100H-SS-1/4	1/4	£13.20
100H-SS-3/8	3/8	£18.35
100H-SS-1/2	1/2	£30.46
100H-SS-3/4	3/4	£52.27
100H-SS-1	1	£77.39

Pipe Cap

Female Thread NPT



PGC: 247	NPT	Price
108H-SS-1/8	1/8	£3.35
108H-SS-1/4	1/4	£5.22
108H-SS-3/8	3/8	£6.14
108H-SS-1/2	1/2	£9.26
108H-SS-3/4	3/4	£14.95
108H-SS-1	1	£19.84

Gauge Adaptor

Male Thread NPT
Female Thread BSPP



PGC: 247	BSPP	NPT	Price
120HGN-SS-1/4	1/4	1/4	£8.13
120HGN-SS-3/8	3/8	3/8	£10.63
120HGN-SS-1/2	1/2	1/2	£19.47

Tees

Tee

Male Thread NPT



PGC: 247	NPT	Price
101HM-SS-1/8	1/8	£11.34
101HM-SS-1/4	1/4	£15.39
101HM-SS-3/8	3/8	£20.27
101HM-SS-1/2	1/2	£33.96

Pipe Plug

Male Thread NPT



PGC: 247	NPT	Price
121H-SS-1/8	1/8	£2.86
121H-SS-1/4	1/4	£3.45
121H-SS-3/8	3/8	£5.43
121H-SS-1/2	1/2	£6.57
121H-SS-3/4	3/4	£9.77
121H-SS-1	1	£16.32

Elbows

Street Elbow

Male Thread NPT
Female Thread NPT



PGC: 247	NPT	Price
116H-SS-1/8	1/8	£14.00
116H-SS-1/4	1/4	£15.91
116H-SS-3/8	3/8	£22.37
116H-SS-1/2	1/2	£37.59
116H-SS-3/4	3/4	£63.30
116H-SS-1	1	£109.38

Tee

Female Thread NPT



PGC: 247	NPT	Price
101H-SS-1/8	1/8	£14.95
101H-SS-1/4	1/4	£16.98
101H-SS-3/8	3/8	£31.23
101H-SS-1/2	1/2	£41.13
101H-SS-3/4	3/4	£72.47
101H-SS-1	1	£105.22

Crosses

Cross

Female Thread NPT



PGC: 247	NPT	Price
102H-SS-1/8	1/8	£21.59
102H-SS-1/4	1/4	£28.70
102H-SS-3/8	3/8	£40.70
102H-SS-1/2	1/2	£50.22
102H-SS-3/4	3/4	£142.40
102H-SS-1	1	£158.84

Plugs

Hollow Hex Plug

Male Thread NPT



PGC: 247	NPT	Price
107H-SS-1/8	1/8	£4.32
107H-SS-1/4	1/4	£4.78
107H-SS-3/8	3/8	£4.90
107H-SS-1/2	1/2	£7.01

Hose Connectors

Hose Connector

Male Thread NPT



PGC: 247	ID (")	NPT	Price
130HM-SS-1/4-1/8	1/4	1/8	£4.59
130HM-SS-1/4-1/4	1/4	1/4	£5.26
130HM-SS-1/4-3/8	1/4	3/8	£8.22
130HM-SS-1/4-1/2	1/4	1/2	£7.49
130HM-SS-3/8-1/4	3/8	1/4	£6.10
130HM-SS-3/8-3/8	3/8	3/8	£6.74
130HM-SS-3/8-1/2	3/8	1/2	£10.14
130HM-SS-1/2-1/2	1/2	1/2	£10.35

Elbow

Male Elbow NPT



PGC: 247	NPT	Price
100HM-SS-1/8	1/8	£11.34
100HM-SS-1/4	1/4	£15.39
100HM-SS-3/8	3/8	£20.27
100HM-SS-1/2	1/2	£23.88

Brass Precision Instrument Pipe Fittings

The Ham-Let Pipeline range of brass connectors is manufactured for typical applications in chemical and petrochemical processing plants, as well as for use in the oil, gas and power generation industries.

Hexagon Nipples

Hexagon Nipple

Male Thread NPT



PGC: 248	NPT	Price
122H-B-1/8	1/8	£2.14
122H-B-1/4	1/4	£3.15
122H-B-3/8	3/8	£3.55
122H-B-1/2	1/2	£4.83
122H-B-3/4	3/4	£6.80
122H-B-1	1	£10.78

Hexagon Long Nipple

Male Thread NPT



PGC: 248	NPT	Length (")	Price
113H-B-1/8-2	1/8	2	£3.55
113H-B-1/8-3	1/8	3	£4.95
113H-B-1/4-2	1/4	2	£3.83
113H-B-1/4-3	1/4	3	£5.06
113H-B-1/4-4	1/4	4	£6.07
113H-B-3/8-2	3/8	2	£4.67
113H-B-3/8-3	3/8	3	£9.31
113H-B-3/8-4	3/8	4	£10.11
113H-B-1/2-2	1/2	2	£8.76
113H-B-1/2-3	1/2	3	£11.41
113H-B-1/2-4	1/2	4	£13.38
113H-B-3/4-2	3/4	2	£13.12
113H-B-3/4-3	3/4	3	£9.31
113H-B-3/4-4	3/4	4	£10.11
113H-B-1-3	1	3	£16.28
113H-B-1-4	1	4	£16.28

Reducers & Hexagon Reducers / Couplings

Reducing Nipple

Male Thread NPT



PGC: 248	NPT 1	NPT 2	Price
123H-B-1/4-1/8	1/4	1/8	£2.92
123H-B-3/8-1/8	3/8	1/8	£3.94
123H-B-3/8-1/4	3/8	1/4	£3.66
123H-B-1/2-1/8	1/2	1/8	£5.60
123H-B-1/2-1/4	1/2	1/4	£5.39
123H-B-1/2-3/8	1/2	3/8	£5.11
123H-B-3/4-1/2	3/4	1/2	£6.92
123H-B-1-1/2	1	1/2	£12.19
123H-B-1-3/4	1	3/4	£11.46

Reducing Bush

Male Thread NPT
Female Thread NPT



PGC: 248	NPT 1	NPT 2	Price
110H-B-1/4-1/8	1/4	1/8	£2.64
110H-B-3/8-1/8	3/8	1/8	£3.48
110H-B-3/8-1/4	3/8	1/4	£3.55
110H-B-1/2-1/8	1/2	1/8	£4.55
110H-B-1/2-1/4	1/2	1/4	£4.04
110H-B-1/2-3/8	1/2	3/8	£4.11
110H-B-3/4-1/4	3/4	1/4	£4.55
110H-B-3/4-1/2	3/4	1/2	£5.34
110H-B-1-1/4	1	1/4	£8.48
110H-B-1-3/8	1	3/8	£9.30
110H-B-1-1/2	1	1/2	£8.60
110H-B-1-3/4	1	3/4	£9.16

Hexagon Reducing Coupling

Female Thread NPT



PGC: 248	NPT 1	NPT 2	Price
119H-B-1/4-1/8	1/4	1/8	£4.67
119H-B-3/8-1/4	3/8	1/4	£5.62
119H-B-1/2-1/4	1/2	1/4	£7.81
119H-B-1/2-3/8	1/2	3/8	£7.76
119H-B-3/4-1/2	3/4	1/2	£10.62
119H-B-1-1/2	1	1/2	£15.99
119H-B-1-3/4	1	3/4	£15.99

Hexagon Coupling

Female Thread NPT



PGC: 248	NPT	Price
103H-B-1/8	1/8	£3.09
103H-B-1/4	1/4	£4.22
103H-B-3/8	3/8	£5.11
103H-B-1/2	1/2	£7.08
103H-B-3/4	3/4	£10.50
103H-B-1	1	£10.93

Adaptors

Adaptor

Male Thread NPT
Female Thread NPT



PGC: 248	NPT 1	NPT 2	Price
120H-B-1/8-1/8	1/8	1/8	£2.53
120H-B-1/4-1/8	1/4	1/8	£3.66
120H-B-1/4-1/4	1/4	1/4	£3.55
120H-B-3/8-1/8	3/8	1/8	£4.84
120H-B-3/8-1/4	3/8	1/4	£4.67
120H-B-3/8-3/8	3/8	3/8	£4.32
120H-B-1/2-1/8	1/2	1/8	£7.08
120H-B-1/2-1/4	1/2	1/4	£6.80
120H-B-1/2-3/8	1/2	3/8	£7.18
120H-B-1/2-1/2	1/2	1/2	£6.52
120H-B-1/2-3/4	1/2	3/4	£7.41
120H-B-3/4-1/4	3/4	1/4	£12.96
120H-B-3/4-3/8	3/4	3/8	£12.96
120H-B-3/4-1/2	3/4	1/2	£9.74
120H-B-3/4-3/4	3/4	3/4	£12.96
120H-B-1-1/2	1	1/2	£24.69
120H-B-1-3/4	1	3/4	£24.69
120H-B-1-1	1	1	£24.69

NPT to BSPT Adaptor

Male Thread NPT
Male Thread BSPT



PGC: 248	BSPT	NPT	Price
122HNR-B-1/8	1/8	1/8	£3.64
122HNR-B-1/4	1/4	1/4	£3.64
122HNR-B-3/8	3/8	3/8	£4.49
122HNR-B-1/2	1/2	1/2	£5.53
122HNR-B-3/4	3/4	3/4	£13.11
122HNR-B-1	1	1	£20.64

Elbow

Male Elbow NPT



PGC: 248	NPT	Price
100HM-B-1/8	1/8	£6.52
100HM-B-1/4	1/4	£7.41
100HM-B-3/8	3/8	£8.99
100HM-B-1/2	1/2	£13.59

Pipe Cap

Female Thread NPT



PGC: 248	NPT	Price
108H-B-1/8	1/8	£2.19
108H-B-1/4	1/4	£2.64
108H-B-3/8	3/8	£3.94
108H-B-1/2	1/2	£5.29
108H-B-3/4	3/4	£10.60
108H-B-1	1	£13.77

Gauge Adaptor

Male Thread NPT
Female Thread BSPP



PGC: 248	BSPP	NPT	Price
120HGN-B-1/4	1/4	1/4	£9.12
120HGN-B-3/8	3/8	3/8	£10.10
120HGN-B-1/2	1/2	1/2	£10.89

Tees

Tee

Male Thread NPT



PGC: 248	NPT	Price
101HM-B-1/8	1/8	£17.87
101HM-B-1/4	1/4	£10.45
101HM-B-3/8	3/8	£12.75
101HM-B-1/2	1/2	£17.87

Hollow Hex Plug

Male Thread NPT



PGC: 248	NPT	Price
107H-B-1/8	1/8	£1.83
107H-B-1/4	1/4	£1.08
107H-B-3/8	3/8	£1.57
107H-B-1/2	1/2	£3.78

Elbows

Street Elbow

Male Thread NPT
Female Thread NPT



PGC: 248	NPT	Price
116H-B-1/8	1/8	£7.79
116H-B-1/4	1/4	£8.84
116H-B-3/8	3/8	£12.96
116H-B-1/2	1/2	£14.56
116H-B-3/4	3/4	£24.70
116H-B-1	1	£33.74

Tee

Female Thread NPT



PGC: 248	NPT	Price
101H-B-1/8	1/8	£9.94
101H-B-1/4	1/4	£10.50
101H-B-3/8	3/8	£15.56
101H-B-1/2	1/2	£18.99
101H-B-3/4	3/4	£29.72
101H-B-1	1	£72.45

Cross

Female Thread NPT



PGC: 248	NPT	Price
102H-B-1/8	1/8	£12.69
102H-B-1/4	1/4	£17.92
102H-B-3/8	3/8	£23.26
102H-B-1/2	1/2	£26.73
102H-B-3/4	3/4	£75.87
102H-B-1	1	£107.26

Plugs

Elbow

Female Thread NPT



PGC: 248	NPT	Price
100H-B-1/8	1/8	£7.25
100H-B-1/4	1/4	£7.64
100H-B-3/8	3/8	£12.13
100H-B-1/2	1/2	£13.71
100H-B-3/4	3/4	£29.94
100H-B-1	1	£38.37

Pipe Plug

Male Thread NPT



PGC: 248	NPT	Price
121H-B-1/8	1/8	£1.80
121H-B-1/4	1/4	£2.31
121H-B-3/8	3/8	£2.76
121H-B-1/2	1/2	£3.66
121H-B-3/4	3/4	£5.06
121H-B-1	1	£20.64

Hose Connectors

Hose Connector

Male Thread NPT



PGC: 248	ID (")	NPT	Price
130HM-B-1/4-1/8	1/4	1/8	£2.70
130HM-B-1/4-1/4	1/4	1/4	£3.32
130HM-B-1/4-3/8	1/4	3/8	£3.71
130HM-B-1/4-1/2	1/4	1/2	£3.78
130HM-B-3/8-1/4	3/8	1/4	£2.70
130HM-B-3/8-3/8	3/8	3/8	£3.55
130HM-B-3/8-1/2	3/8	1/2	£4.67
130HM-B-1/2-1/2	1/2	1/2	£5.29



Single and Dual Stage Gas Regulators

CONCOA® is the industry leader in gas control equipment. CONCOA® high purity regulators conform to very exacting standards of pressure control.



Single Stage vs. Dual Stage

Single stage regulators reduce pressure in a single step to deliver a pressure within a specific range.

Regulators designed in this way will show a slight variation in delivery pressure as the cylinder pressure falls during use. For this reason, single stage regulators are best suited for applications where a constant outlet pressure is not critical, where an operator can monitor and read just pressure, or where inlet pressure is constant.

Dual stage regulators perform the same function as single stage regulators. However, delivery pressure remains constant as cylinder pressure decreases and greater accuracy in pressure control is maintained because the pressure reduction is performed in two steps. Dual stage regulators are recommended for applications requiring a constant outlet pressure over the life of a gas cylinder.



Materials of Construction

The materials of construction for a regulator should be based on the properties and purity of the gas. CONCOA® manufactures regulators from brass, aluminium, and 316L stainless steel. Brass is compatible with most of the non-reactive gases.

A choice of forged body or barstock construction is available. Forged body regulators are economical; however, their internal surface finishes are relatively rough as compared to barstock body regulators. Barstock body regulators have all wetted surfaces machined to a smooth finish which reduces the possibility of contamination. 316L stainless steel is highly corrosion-resistant and is suitable for use with many of the highly corrosive gases in their anhydrous form. Aluminium is an economical lightweight alternative to stainless steel for many of the mildly corrosive gases.

Diaphragms

The diaphragm is a sensing element crucial to the function of the regulator and the purity of gas delivery. Stainless steel diaphragms are corrosion-resistant and have low leakage rate characteristics. Neoprene® diaphragms may offer more sensitive pressure control, but do not offer the gas purity of stainless steel. Coating a neoprene diaphragm with Teflon® enhances gas purity greatly.



Typical Applications

- Bulk gas distribution systems
- Gas and liquid chromatography
- High and ultra high purity carrier gases
- Zero, span and calibration gases
- High purity chamber pressurisation
- Liquified hydrocarbon gas control
- Control of cryogenic gases
- Corrosive gases
- EPA protocol gases

How to Order CONCOA® Regulators

CONCOA® has developed a versatile modular manufacturing system in order to be able to accommodate any individual requirement. A **Part Number Matrix** allows you to design a regulator to meet the needs of any application.

STEP ONE

The first choice in completing the Part Number Matrix is selecting a particular **Regulator Series**. The Regulator Series number then becomes the first 3 digits of the part number and is followed by a dash.

STEP TWO

Next select the desired **Outlet Pressure Range**. Selection of an Outlet Pressure Range automatically specifies the outlet pressure gauge which appears in the adjacent column. For example, a regulator with a 0-250 psi Outlet Pressure Range will have a 0-400 psi pressure gauge installed.

STEP THREE

Now choose the **Inlet Pressure Gauge**. Choosing the inlet gauge with a range that most closely approximates the actual pressure range of the cylinder allows easy readability of cylinder contents. Please note, by indicating the 0-6000 psi inlet gauge, you are also selecting a special PCTFE Capsule® with a maximum inlet pressure of 4500 psi.

STEP FOUR

Indicate the **Outlet Assembly** desired. The Matrix accommodates virtually any style of connection, eliminating the need for adapters and reducing potential leak paths.

STEP FIVE

Select an **Assembly Option** from those available in the next column. A bare body regulator is shipped without peripherals, with all ports open and unplugged. A standard assembly regulator comes completely assembled with all selected peripherals, ready for use; a cleanroom regulator is completely assembled in a Class 10 environment. Finally, each regulator must pass a battery of rigorous operational tests and a Helium Leak Integrity check.

STEP SIX

Specify an **Inlet Connection**. Consult your gas supplier for proper selection of the inlet connection. A "-000" at the end of the part number indicates no inlet connection (1/4 inch female NPT).

STEP SEVEN

Choose an **Installed Option** from a range of protocol stations and purges. By ordering these options as a component of the part number, CONCOA® can assure the appropriate materials, pressure maximum, and connections of the option chosen.

CONCOA® 304 Series Single Stage Line Regulator

The 304 Series regulators are intended for secondary pressure control of non-corrosive, high purity or liquefied gases or as point of use pressure control in high purity gas distribution systems.

Features:

- Single Stage
- Three-port configuration
- Rear panel mountable
- Easy installation
- Safe for use with high pressure cylinders

Technical Characteristics

Body: Chrome-plated brass barstock
Bonnet: Chrome-plated die cast zinc
Seat: PTFE
Filter: 10 micron sintered bronze
Diaphragm: 316L stainless steel
Internal Seals: PTFE
Gauges: 2" diameter chrome-plated
Ports: 1/4" NPT Female

Typical Applications include:

- Bulk gas distribution systems
- Gas and liquid chromatography
- High purity carrier gases
- Zero, span and calibration gases
- High purity chamber pressurisation
- Liquefied hydrocarbon gas control
- Control of cryogenic gases



Temperature Range:
-40°C to +60°C



Maximum Inlet Pressure:
3000 psi (205 bar)

Pressure Ranges:
0-15 psi to
0-250 psi



304 -1 -0

Regulator Series	
Outlet Pressure	Outlet Gauge
1 0-15	30"-0-30 psi
2 0-50	30"-0-100 psi
3 0-100	30"-0-200 psi
4 0-250	0-400 psi
5 0-500	0-1000 psi
7 0-150	30"-0-200 psi

Inlet Gauge	
0	None

Outlet Assemblies	
0 1/4" FPT Port	7 3/8" Tube Fitting
1 1/4" MPT	8 Diaphragm Valve
2 1/4" Tube Fitting	1 1/8" Tube Fitting
3 Diaphragm Valve	9 Diaphragm Valve
4 1/4" Tube Fitting	1/4" FPT
4 Diaphragm Valve	A 3/8" BSP
1/4" MPT	Right Hand Fitting
5 Needle Valve	M 6 mm Tube Fitting
1/4" MPT	S Diaphragm Valve
6 1/8" Tube Fitting	6 mm Tube Fitting

MPT = NPT Male Thread
 FPT = NPT Female Thread

Example 304 SERIES Regulator Part Number:

304-1-0-0-0-000

Assembly / Gauges	
0	Bare Body
1	Standard Assembly (psi/kPa Gauges)
2	Standard Assembly (bar/psi Gauges)

Inlet Connections	
000	1/4" FPT
TF2	1/8" Tube
TF4	1/4" Tube
TF6	3/8" Tube
M06	6 mm Tube

Installed Options	
None	

CONCOA® 324 Series Single Stage Line Regulator

The 324 Series regulators are intended for secondary pressure control of ultra high purity and corrosive gases or as point of use pressure control in ultra high purity gas distribution systems.

Features:

- Single Stage
- Three-port configuration
- Rear panel mountable
- Easy installation
- Safe for use with high pressure cylinders

Technical Characteristics

Body: 316L stainless steel barstock - increased corrosion resistance
Bonnet: Chrome-plated die cast zinc
Seat: PTFE
Filter: 10 micron stainless steel multi-layer mesh
Diaphragm: 316L stainless steel
Internal Seals: PTFE
Gauges: 2" diameter chrome-plated
Ports: 1/4" NPT Female

Typical Applications include:

- Bulk gas distribution systems
- Gas and liquid chromatography
- Ultra High purity carrier gases
- Zero, span and calibration gases
- High purity chamber pressurisation
- Liquefied hydrocarbon gas control
- Control of cryogenic gases



Temperature Range:
-40°C to +60°C



Maximum Inlet Pressure:
3000 psi (205 bar)

Pressure Ranges:
0-15 psi to
0-250 psi



324 -1 -0

Regulator Series	
Outlet Pressure	Outlet Gauge
1 0-15	30"-0-30 psi
2 0-50	30"-0-100 psi
3 0-100	30"-0-200 psi
4 0-250	0-400 psi
5 0-500	0-1000 psi
7 0-150	30"-0-200 psi

Inlet Gauge	
0	None

Outlet Assemblies	
0 1/4" FPT Port	7 3/8" Tube Fitting
1 1/4" MPT	8 Diaphragm Valve
2 1/4" Tube Fitting	1 1/8" Tube Fitting
3 Diaphragm Valve	9 Diaphragm Valve
4 1/4" Tube Fitting	1/4" FPT
4 Diaphragm Valve	A 3/8" BSP
1/4" MPT	Right Hand Fitting
5 Needle Valve	M 6 mm Tube Fitting
1/4" MPT	S Diaphragm Valve
6 1/8" Tube Fitting	6 mm Tube Fitting

MPT = NPT Male Thread
 FPT = NPT Female Thread

Example 324 SERIES Regulator Part Number:

324-1-0-0-0-000

Assembly / Gauges	
0	Bare Body
1	Standard Assembly (psi/kPa Gauges)
2	Standard Assembly (bar/psi Gauges)

Inlet Connections	
000	1/4" FPT
TF2	1/8" Tube
TF4	1/4" Tube
TF6	3/8" Tube
M06	6 mm Tube

Installed Options	
None	

Single and Dual Stage Gas Regulators



01

CONCOA® 402 Series Single Stage Regulator

The 402 Series regulators are intended for primary pressure control of non-corrosive, high purity or liquefied gases or for applications where minor fluctuations in outlet pressure due to diminishing inlet supply can be tolerated.

Features:

- Single Stage
- Six-port configuration
- Front and rear panel mountable
- Versatile system configuration

Technical Characteristics

Body: Brass barstock
Bonnet: Brass barstock
Seat: PTFE, PCTFE with 4500 psi inlet option
Filter: 10 micron sintered bronze
Diaphragm: 316L stainless steel
Internal Seals: PTFE
Gauges: 2" diameter brass
Ports: 1/4" NPT Female



Temperature Range:
-40°C to +60°C



Maximum Inlet Pressure:
3000 psi (205 bar);

Pressure Ranges:
0-15 psi to
0-250 psi



Typical Applications include:

- Gas and liquid chromatography
- High purity carrier gases
- Zero, span and calibration gases

- High purity chamber pressurisation
- Liquefied hydrocarbon carbon gas control
- Control of cryogenic gases

402	-1	-0	-0	-0	-000	OPTIONAL -0																																																		
Regulator Series	Outlet Assemblies	Assembly / Gauges	Installed Options																																																					
<table border="1"> <thead> <tr> <th>Outlet Pressure</th> <th>Outlet Gauge</th> </tr> </thead> <tbody> <tr><td>1 0-15"</td><td>30"-0-30 psi</td></tr> <tr><td>2 0-50</td><td>30"-0-100 psi</td></tr> <tr><td>3 0-100</td><td>30"-0-200 psi</td></tr> <tr><td>4 0-250</td><td>0-400 psi</td></tr> <tr><td>5 0-500</td><td>0-1000 psi</td></tr> <tr><td>7 0-150</td><td>30"-0-200 psi</td></tr> </tbody> </table> <p><small>* Not available with 4500 psi maximum inlet pressure</small></p> <table border="1"> <thead> <tr> <th>Inlet Gauge</th> <th></th> </tr> </thead> <tbody> <tr><td>0 None</td><td>6 0-300 psi</td></tr> <tr><td>3 0-4000 psi</td><td>7 0-400 psi</td></tr> <tr><td>5 0-1000 psi</td><td>8 0-6000 psi</td></tr> </tbody> </table> <p><small>* Maximum inlet pressure 4500 psi (310 bar) with PCTFE Seat Capsule</small></p>	Outlet Pressure	Outlet Gauge	1 0-15"	30"-0-30 psi	2 0-50	30"-0-100 psi	3 0-100	30"-0-200 psi	4 0-250	0-400 psi	5 0-500	0-1000 psi	7 0-150	30"-0-200 psi	Inlet Gauge		0 None	6 0-300 psi	3 0-4000 psi	7 0-400 psi	5 0-1000 psi	8 0-6000 psi	<table border="1"> <tbody> <tr><td>0 1/4" FPT Port</td><td>7 3/8" Tube Fitting</td></tr> <tr><td>1 1/4" MPT</td><td>8 Diaphragm Valve</td></tr> <tr><td>2 1/4" Tube Fitting</td><td>1/8" Tube Fitting</td></tr> <tr><td>3 Diaphragm Valve</td><td>9 Diaphragm Valve</td></tr> <tr><td>4 Diaphragm Valve</td><td>1/4" FPT</td></tr> <tr><td>5 Needle Valve</td><td>A 3/8" BSP</td></tr> <tr><td>6 1/8" Tube Fitting</td><td>M Right Hand Fitting</td></tr> <tr><td></td><td>S 6 mm Tube Fitting</td></tr> </tbody> </table> <p>MPT = NPT Male Thread FPT = NPT Female Thread</p>	0 1/4" FPT Port	7 3/8" Tube Fitting	1 1/4" MPT	8 Diaphragm Valve	2 1/4" Tube Fitting	1/8" Tube Fitting	3 Diaphragm Valve	9 Diaphragm Valve	4 Diaphragm Valve	1/4" FPT	5 Needle Valve	A 3/8" BSP	6 1/8" Tube Fitting	M Right Hand Fitting		S 6 mm Tube Fitting	<table border="1"> <tbody> <tr><td>0 Bare Body</td></tr> <tr><td>1 Standard Assembly (psi/kPa Gauges)</td></tr> <tr><td>2 Standard Assembly (bar/psi Gauges)</td></tr> <tr><td>4 Cleanroom Assembly (psi/kPa Gauges)</td></tr> <tr><td>5 Cleanroom Assembly (bar/psi Gauges)</td></tr> </tbody> </table>	0 Bare Body	1 Standard Assembly (psi/kPa Gauges)	2 Standard Assembly (bar/psi Gauges)	4 Cleanroom Assembly (psi/kPa Gauges)	5 Cleanroom Assembly (bar/psi Gauges)	<table border="1"> <tbody> <tr><td>A Protocol Alarm Station (110 V)</td></tr> <tr><td>B Protocol Alarm Station (220 V)</td></tr> <tr><td>C Protocol Switchover Station</td></tr> <tr><td>D Deep Purge*</td></tr> <tr><td>G Protocol Switchover Station with Alarm (110 V)</td></tr> <tr><td>H Protocol Switchover Station with Alarm (220 V)</td></tr> <tr><td>M Protocol Station</td></tr> </tbody> </table> <p><small>* Not available with 4500 psi maximum inlet pressure</small></p>				A Protocol Alarm Station (110 V)	B Protocol Alarm Station (220 V)	C Protocol Switchover Station	D Deep Purge*	G Protocol Switchover Station with Alarm (110 V)	H Protocol Switchover Station with Alarm (220 V)	M Protocol Station
Outlet Pressure	Outlet Gauge																																																							
1 0-15"	30"-0-30 psi																																																							
2 0-50	30"-0-100 psi																																																							
3 0-100	30"-0-200 psi																																																							
4 0-250	0-400 psi																																																							
5 0-500	0-1000 psi																																																							
7 0-150	30"-0-200 psi																																																							
Inlet Gauge																																																								
0 None	6 0-300 psi																																																							
3 0-4000 psi	7 0-400 psi																																																							
5 0-1000 psi	8 0-6000 psi																																																							
0 1/4" FPT Port	7 3/8" Tube Fitting																																																							
1 1/4" MPT	8 Diaphragm Valve																																																							
2 1/4" Tube Fitting	1/8" Tube Fitting																																																							
3 Diaphragm Valve	9 Diaphragm Valve																																																							
4 Diaphragm Valve	1/4" FPT																																																							
5 Needle Valve	A 3/8" BSP																																																							
6 1/8" Tube Fitting	M Right Hand Fitting																																																							
	S 6 mm Tube Fitting																																																							
0 Bare Body																																																								
1 Standard Assembly (psi/kPa Gauges)																																																								
2 Standard Assembly (bar/psi Gauges)																																																								
4 Cleanroom Assembly (psi/kPa Gauges)																																																								
5 Cleanroom Assembly (bar/psi Gauges)																																																								
A Protocol Alarm Station (110 V)																																																								
B Protocol Alarm Station (220 V)																																																								
C Protocol Switchover Station																																																								
D Deep Purge*																																																								
G Protocol Switchover Station with Alarm (110 V)																																																								
H Protocol Switchover Station with Alarm (220 V)																																																								
M Protocol Station																																																								
Example SERIES 402 Regulator Part Number: 402-1-0-0-0-000-A																																																								

CONCOA® 422 Series Single Stage Regulator

The 422 Series regulators are intended for primary pressure control of ultra high purity and corrosive gases in applications where minor fluctuations in outlet pressure due to diminishing inlet supply can be tolerated.

Features:

- Single Stage
- Six-port configuration
- Front and rear panel mountable
- Versatile system configuration

Technical Characteristics

Body: 316 stainless steel barstock
Bonnet: Chrome-plated brass barstock
Seat: PTFE, PCTFE with 4500 psi inlet option
Filter: 10 micron stainless steel multi-layer
Diaphragm: 316L stainless steel
Internal Seals: PTFE
Gauges: 2" diameter stainless steel
Ports: 1/4" NPT Female



Temperature Range:
-40°C to +60°C



Maximum Inlet Pressure:
3000 psi (205 bar);
4500 psi (310 bar)

Pressure Ranges:
0-15 psi to
0-250 psi



Typical Applications include:

- Gas and liquid chromatography
- High purity carrier gases
- Zero, span and calibration gases

- High purity chamber pressurisation
- Liquefied hydrocarbon carbon gas control
- Control of cryogenic gases

422	-1	-0	-0	-0	-000	OPTIONAL -0																																																		
Regulator Series	Outlet Assemblies	Assembly / Gauges	Installed Options																																																					
<table border="1"> <thead> <tr> <th>Outlet Pressure</th> <th>Outlet Gauge</th> </tr> </thead> <tbody> <tr><td>1 0-15"</td><td>30"-0-30 psi</td></tr> <tr><td>2 0-50</td><td>30"-0-100 psi</td></tr> <tr><td>3 0-100</td><td>30"-0-200 psi</td></tr> <tr><td>4 0-250</td><td>0-400 psi</td></tr> <tr><td>5 0-500</td><td>0-1000 psi</td></tr> <tr><td>7 0-150</td><td>30"-0-200 psi</td></tr> </tbody> </table> <p><small>* Not available with 4500 psi maximum inlet pressure</small></p> <table border="1"> <thead> <tr> <th>Inlet Gauge</th> <th></th> </tr> </thead> <tbody> <tr><td>0 None</td><td>6 0-300 psi</td></tr> <tr><td>3 0-4000 psi</td><td>7 0-400 psi</td></tr> <tr><td>5 0-1000 psi</td><td>8 0-6000 psi</td></tr> </tbody> </table> <p><small>* Maximum inlet pressure 4500 psi (310 bar) with PCTFE Seat Capsule</small></p>	Outlet Pressure	Outlet Gauge	1 0-15"	30"-0-30 psi	2 0-50	30"-0-100 psi	3 0-100	30"-0-200 psi	4 0-250	0-400 psi	5 0-500	0-1000 psi	7 0-150	30"-0-200 psi	Inlet Gauge		0 None	6 0-300 psi	3 0-4000 psi	7 0-400 psi	5 0-1000 psi	8 0-6000 psi	<table border="1"> <tbody> <tr><td>0 1/4" FPT Port</td><td>7 3/8" Tube Fitting</td></tr> <tr><td>1 1/4" MPT</td><td>8 Diaphragm Valve</td></tr> <tr><td>2 1/4" Tube Fitting</td><td>1/8" Tube Fitting</td></tr> <tr><td>3 Diaphragm Valve</td><td>9 Diaphragm Valve</td></tr> <tr><td>4 Diaphragm Valve</td><td>1/4" FPT</td></tr> <tr><td>5 Needle Valve</td><td>A 3/8" BSP</td></tr> <tr><td>6 1/8" Tube Fitting</td><td>M Right Hand Fitting</td></tr> <tr><td></td><td>S 6 mm Tube Fitting</td></tr> </tbody> </table> <p>MPT = NPT Male Thread FPT = NPT Female Thread</p>	0 1/4" FPT Port	7 3/8" Tube Fitting	1 1/4" MPT	8 Diaphragm Valve	2 1/4" Tube Fitting	1/8" Tube Fitting	3 Diaphragm Valve	9 Diaphragm Valve	4 Diaphragm Valve	1/4" FPT	5 Needle Valve	A 3/8" BSP	6 1/8" Tube Fitting	M Right Hand Fitting		S 6 mm Tube Fitting	<table border="1"> <tbody> <tr><td>0 Bare Body</td></tr> <tr><td>1 Standard Assembly (psi/kPa Gauges)</td></tr> <tr><td>2 Standard Assembly (bar/psi Gauges)</td></tr> <tr><td>4 Cleanroom Assembly (psi/kPa Gauges)</td></tr> <tr><td>5 Cleanroom Assembly (bar/psi Gauges)</td></tr> </tbody> </table>	0 Bare Body	1 Standard Assembly (psi/kPa Gauges)	2 Standard Assembly (bar/psi Gauges)	4 Cleanroom Assembly (psi/kPa Gauges)	5 Cleanroom Assembly (bar/psi Gauges)	<table border="1"> <tbody> <tr><td>A Protocol Alarm Station (110 V)</td></tr> <tr><td>B Protocol Alarm Station (220 V)</td></tr> <tr><td>C Protocol Switchover Station</td></tr> <tr><td>D Deep Purge*</td></tr> <tr><td>G Protocol Switchover Station with Alarm (110 V)</td></tr> <tr><td>H Protocol Switchover Station with Alarm (220 V)</td></tr> <tr><td>M Protocol Station</td></tr> </tbody> </table> <p><small>* Not available with 4500 psi maximum inlet pressure</small></p>				A Protocol Alarm Station (110 V)	B Protocol Alarm Station (220 V)	C Protocol Switchover Station	D Deep Purge*	G Protocol Switchover Station with Alarm (110 V)	H Protocol Switchover Station with Alarm (220 V)	M Protocol Station
Outlet Pressure	Outlet Gauge																																																							
1 0-15"	30"-0-30 psi																																																							
2 0-50	30"-0-100 psi																																																							
3 0-100	30"-0-200 psi																																																							
4 0-250	0-400 psi																																																							
5 0-500	0-1000 psi																																																							
7 0-150	30"-0-200 psi																																																							
Inlet Gauge																																																								
0 None	6 0-300 psi																																																							
3 0-4000 psi	7 0-400 psi																																																							
5 0-1000 psi	8 0-6000 psi																																																							
0 1/4" FPT Port	7 3/8" Tube Fitting																																																							
1 1/4" MPT	8 Diaphragm Valve																																																							
2 1/4" Tube Fitting	1/8" Tube Fitting																																																							
3 Diaphragm Valve	9 Diaphragm Valve																																																							
4 Diaphragm Valve	1/4" FPT																																																							
5 Needle Valve	A 3/8" BSP																																																							
6 1/8" Tube Fitting	M Right Hand Fitting																																																							
	S 6 mm Tube Fitting																																																							
0 Bare Body																																																								
1 Standard Assembly (psi/kPa Gauges)																																																								
2 Standard Assembly (bar/psi Gauges)																																																								
4 Cleanroom Assembly (psi/kPa Gauges)																																																								
5 Cleanroom Assembly (bar/psi Gauges)																																																								
A Protocol Alarm Station (110 V)																																																								
B Protocol Alarm Station (220 V)																																																								
C Protocol Switchover Station																																																								
D Deep Purge*																																																								
G Protocol Switchover Station with Alarm (110 V)																																																								
H Protocol Switchover Station with Alarm (220 V)																																																								
M Protocol Station																																																								
Example 422 SERIES Regulator Part Number: 422-1-0-0-0-000-A																																																								

CONCOA® 412 Series Dual Stage Regulator

The 412 Series regulators are intended for primary pressure control of non-corrosive, high purity or liquefied gases for applications requiring constant pressure control and delivery regardless of supply pressure variations.

Features:

- Dual Stage
- Six-port configuration
- Front panel mountable
- Easy installation



Technical Characteristics

Body: Brass barstock
Bonnet: Brass barstock
Seat: PTFE, PCTFE with 4500 psi inlet option
Filter: 10 micron sintered bronze in both stages - fail-safe seat performance
Diaphragm: 316L stainless steel
Internal Seals: PTFE
Gauges: 2" diameter brass
Ports: 1/4" NPT Female

Typical Applications include:

- EPA Protocol gases
- Gas and liquid chromatography
- High purity carrier gases
- Zero, span and calibration gases
- High purity chamber pressurisation
- Corrosive gases



Temperature Range:
-40°C to +60°C



Maximum Inlet Pressure:
3000 psi (205 bar);
4500 psi (310 bar)

Pressure Range:
0-15 psi to
0-250 psi

412

-1

-0

-0

-0

-000

OPTIONAL

-0

Regulator Series

Outlet Pressure	Outlet Gauge
1 0-15"	30"-0-30 psi
2 0-50	30"-0-100 psi
3 0-100	30"-0-200 psi
4 0-250	0-400 psi
5 0-500	0-1000 psi
7 0-150	30"-0-200 psi

Inlet Gauge

0 None	6 0-300 psi
3 0-4000 psi	7 0-4000 psi
5 0-1000 psi	8* 0-6000 psi

* Maximum inlet pressure 4500 psi (310 bar) with PCTFE Seat Capsule

Outlet Assemblies

0 1/4" FPT Port	7 3/8" Tube Fitting
1 1/4" MPT	8 Diaphragm Valve
2 1/4" Tube Fitting	1 1/8" Tube Fitting
3 Diaphragm Valve	9 Diaphragm Valve
4 Diaphragm Valve	1/4" FPT
1/4" Tube Fitting	A 3/8" BSP
5 Needle Valve	M Right Hand Fitting
1/4" MPT	S Diaphragm Valve
6 1/8" Tube Fitting	6 mm Tube Fitting

MPT = NPT Male Thread
FPT = NPT Female Thread

Example 412 SERIES Regulator Part Number:

412-1-0-0-0-000-A

Assembly / Gauges

0 Bare Body
1 Standard Assembly (psi/kPa Gauges)
2 Standard Assembly (bar/psi Gauges)
4 Cleanroom Assembly (psi/kPa Gauges)
5 Cleanroom Assembly (bar/psi Gauges)

Inlet Connections

000 1/4" FPT
TF2 1/8" Tube
TF4 1/4" Tube
TF6 3/8" Tube
M06 6 mm Tube

CGA, DIN 477, BS 341 and others available

Installed Options

A Protocol Alarm Station (110 V)
B Protocol Alarm Station (220 V)
C Protocol Switchover Station
D Deep Purge*
G Protocol Switchover Station with Alarm (110 V)
H Protocol Switchover Station with Alarm (220 V)
M Protocol Station

* Not available with 4500 psi maximum inlet pressure

CONCOA® 432 Series Dual Stage Regulator

The 432 Series regulators are intended for primary pressure control of non-corrosive, high purity or liquefied gases for applications requiring constant pressure control and delivery regardless of supply pressure variations.

Features:

- Dual Stage
- Six-port configuration
- Front panel mountable
- Easy Installation



Technical Characteristics

Body: 316L stainless steel barstock - increased corrosion resistance
Bonnet: Chrome-plated brass barstock
Seat: PTFE, PCTFE with 4500 psi inlet option
Filter: 10 micron stainless steel multi-layer mesh in both stages - fail-safe seat
Diaphragm: 316L stainless steel
Internal Seals: PTFE
Gauges: 2" diameter stainless steel
Ports: 1/4" NPT Female

Typical Applications include:

- EPA Protocol gases
- Gas and liquid chromatography
- High purity carrier gases
- Zero, span and calibration gases
- High purity chamber pressurisation
- Corrosive gases



Temperature Range:
-40°C to +60°C



Maximum Inlet Pressure:
3000 psi (205 bar);
4500 psi (310 bar)

Pressure Range:
0-15 psi to
0-250 psi

432

-1

-0

-0

-0

-000

OPTIONAL

-0

Regulator Series

Outlet Pressure	Outlet Gauge
1 0-15"	30"-0-30 psi
2 0-50	30"-0-100 psi
3 0-100	30"-0-200 psi
4 0-250	0-400 psi
5 0-500	0-1000 psi
7 0-150	30"-0-200 psi

Inlet Gauge

0 None	6 0-300 psi
3 0-4000 psi	7 0-4000 psi
5 0-1000 psi	8* 0-6000 psi

* Maximum inlet pressure 4500 psi (310 bar) with PCTFE Seat Capsule

Outlet Assemblies

0 1/4" FPT Port	7 3/8" Tube Fitting
1 1/4" MPT	8 Diaphragm Valve
2 1/4" Tube Fitting	1 1/8" Tube Fitting
3 Diaphragm Valve	9 Diaphragm Valve
4 Diaphragm Valve	1/4" FPT
1/4" Tube Fitting	A 3/8" BSP
5 Needle Valve	M Right Hand Fitting
1/4" MPT	S Diaphragm Valve
6 1/8" Tube Fitting	6 mm Tube Fitting

MPT = NPT Male Thread
FPT = NPT Female Thread

Example 432 SERIES Regulator Part Number:

432-1-0-0-0-000-A

Assembly / Gauges

0 Bare Body
1 Standard Assembly (psi/kPa Gauges)
2 Standard Assembly (bar/psi Gauges)
4 Cleanroom Assembly (psi/kPa Gauges)
5 Cleanroom Assembly (bar/psi Gauges)

Inlet Connections

000 1/4" FPT
TF2 1/8" Tube
TF4 1/4" Tube
TF6 3/8" Tube
M06 6 mm Tube

CGA, DIN 477, BS 341 and others available

Installed Options

A Protocol Alarm Station (110 V)
B Protocol Alarm Station (220 V)
C Protocol Switchover Station
D Deep Purge*
G Protocol Switchover Station with Alarm (110 V)
H Protocol Switchover Station with Alarm (220 V)
M Protocol Station

* Not available with 4500 psi maximum inlet pressure

Grade 316L Stainless Steel Tube

High quality, low-carbon austenitic stainless steel tubing manufactured to instrumentation and hydraulic standards. Sandvik tubes are noted for their quality and low lifecycle costs for the following reasons:

- ✓ Sandvik control every step in the tube production process, ensuring **consistent quality** in the product.
- ✓ Sandvik have well equipped corrosion testing laboratories, used for research purposes and for control of the influence of the production procedures on the material, that result in a product that offers **high corrosion-resistance**.
- ✓ **High surface smoothness and close dimensional tolerances** ensure there are no leakages when connecting straight tubes with couplings.
- ✓ Sandvik products are characterised by the **ovality, eccentricity and controlled hardness** required for superior performance for hydraulic and instrumentation systems.

Typical Applications:

- Process • Oil • Electronic • Chemical • Food Manufacture
- Pharmaceutical • Engineering

Sandvik seamless stainless steel tubes are also well-suited for other applications where smooth surfaces and tight tolerances are required.

All Sandvik Materials Technology products are Quality Assured to BS EN ISO 9001 : 2000.

- Grade 316L seamless stainless steel tube compliant with ASTM A269
- Higher molybdenum content – minimum 2.5% compared with minimum of 2.0% – than ASTM 316L standard
- Corrosion properties and pitting resistance are much improved by high molybdenum content

Key Product Features



Weldability. Thanks to the controlled and consistent quality of steel grades, Sandvik hydraulic tubes are very easy to weld. Sandvik also manufactures a complete range of filler materials for welding (please ask our Sales Team for more information).



Plugged Ends. From stock, all tubes with OD larger than 5 mm can be supplied with transport protection against inside contamination.



Surface Finish. Sizes OD up to and including 30 mm are supplied bright annealed. Outside diameters larger than 30 mm are supplied in the annealed and pickled condition.



Certification. Testing performed according to the standard as reported in Material and Test Certificates issued by the Sandvik Quality Assurance department.

Working Temperature:
Calculated at +20°C



Please contact our Sales Team for information regarding usage at higher temperatures.

316 Stainless Steel Tube

Metric
3 Metre Length



PGC: 218	OD (mm)	Wall (mm)	Working Pressure (bar)	Price
MSST6-1-3SVK	6	1	478	£34.16
MSST6-1.5-3SVK	6	1.5	741	£48.27
MSST8-1-3SVK	8	1	343	£39.16
MSST8-1.5-3SVK	8	1.5	549	£55.98
MSST10-1-3SVK	10	1	268	£49.82
MSST10-1.5-3SVK	10	1.5	423	£59.35
MSST12-1-3SVK	12	1	220	£53.27
MSST12-1.5-3SVK	12	1.5	343	£67.26
MSST15-1.5-3SVK	15	1.5	268	£119.60
MSST16-1.5-3SVK	16	1.5	250	£128.42
MSST20-2-3SVK	20	2	268	£159.72
MSST22-1.5-3SVK	22	1.5	177	£162.50
MSST25-2-3SVK	25	2	210	£198.59

6 Metre Length

PGC: 218	OD (mm)	Wall (mm)	Working Pressure (bar)	Price
MSST6-1-6SVK	6	1	478	£66.65
MSST6-1.5-6SVK	6	1.5	741	£94.19
MSST8-1-6SVK	8	1	343	£76.39
MSST8-1.5-6SVK	8	1.5	549	£109.25
MSST10-1-6SVK	10	1	268	£97.21
MSST10-1.5-6SVK	10	1.5	423	£115.81
MSST12-1-6SVK	12	1	220	£103.94
MSST12-1.5-6SVK	12	1.5	343	£131.25
MSST15-1.5-6SVK	15	1.5	268	£233.37
MSST16-1.5-6SVK	16	1.5	250	£250.58
MSST20-2-6SVK	20	2	268	£311.64
MSST22-1.5-6SVK	22	1.5	177	£317.03
MSST25-2-6SVK	25	2	210	£387.49

316 Stainless Steel Tube

Imperial
3 Metre Length



PGC: 218	OD (")	Gauge	Working Pressure (bar)	Price
SST2-22-3SVK	1/8	22	671	£60.18
SST4-20-3SVK	1/4	20	401	£35.36
SST4-18-3SVK	1/4	18	565	£49.55
SST4-16-3SVK	1/4	16	758	£65.80
SST6-20-3SVK	3/8	20	255	£48.61
SST6-18-3SVK	3/8	18	353	£57.77
SST6-16-3SVK	3/8	16	492	£77.67
SST8-20-3SVK	1/2	20	182	£52.82
SST8-18-3SVK	1/2	18	256	£68.30
SST8-16-3SVK	1/2	16	354	£83.12
SST12-16-3SVK	3/4	16	229	£118.15
SST16-16-3SVK	1	16	168	£151.65

6 Metre Length

PGC: 218	OD (")	Gauge	Working Pressure (bar)	Price
SST2-22-6SVK	1/8	22	671	£117.41
SST4-20-6SVK	1/4	20	401	£69.00
SST4-18-6SVK	1/4	18	565	£96.67
SST4-16-6SVK	1/4	16	758	£128.36
SST6-20-6SVK	3/8	20	255	£94.85
SST6-18-6SVK	3/8	18	353	£112.71
SST6-16-6SVK	3/8	16	492	£151.55
SST8-20-6SVK	1/2	20	182	£103.04
SST8-18-6SVK	1/2	18	256	£133.27
SST8-16-6SVK	1/2	16	354	£162.17
SST12-16-6SVK	3/4	16	229	£230.52
SST16-16-6SVK	1	16	168	£295.91